







minimax line



All "Made in SCM Italy"
From casting iron to finished product.

Come see our production plants and touch the quality of SCM machines; you will be our guest.



minimax line

the passion that deserves
professional products

minimax is the Line of professional machines for hobbyists and woodworkers,
a point of reference for over 40 years worldwide.
The minimax models are part of the entire scm range of woodworking machines, and as
such, maximum expression of technological innovation in the sector.

circular saws
spindle moulders
planers
combined
machines
8/93



edge banders
94/109

woodturning lathe
114/117



sander
118/121





/elite s /15



/lab 300 plus /74



/genius /82



/classic /54

drilling machine
110/113



band saw
122/125



circular
saw
with double
tilting
six



Innovation at Everybody's Reach

		si x
Maximum sawblade diameter with scoring unit installed	mm	400
Max. sawblade projection from table at 90°/+45°/-45°	mm	136 / 97 / 60
Cutting width on parallel fence	mm	1270
Squaring stroke	mm	2600 ÷ 3200
Three-phase motor power	kW	7

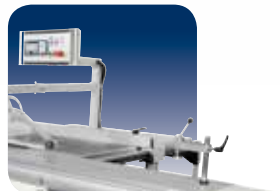
Find the complete technical specification at page 13



Saw Unit
double tilting



**Programmed
Mouvement**
simple and quick



Ready 3/ Ready 3 UP
automatic
positioning

Circular saw with $\pm 46^\circ$ double tilting with powered and programmed sawblade movement available as standard. It allows simultaneous use of a 400mm saw blade and 160mm scoring blade both for 90° cutting and $\pm 46^\circ$ tilted cutting.

si x operating groups

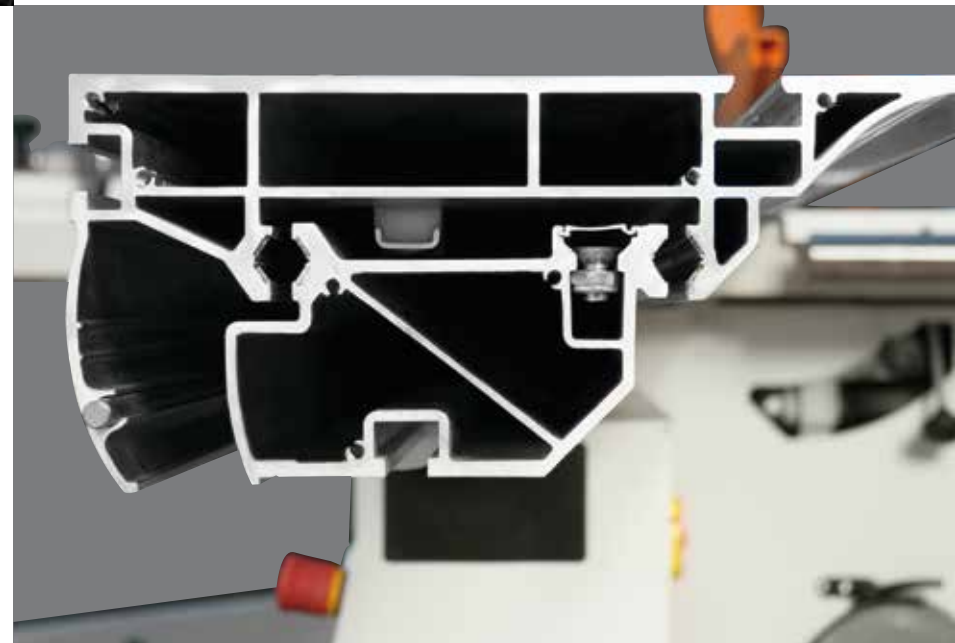


double tilting at everybody's reach
Saw Unit.

New saw unit with a stiff cast-iron structure which can accommodate a blade of 400 mm diameter with scoring blade mounted. It ensures a perfect and easy cutting of veneer panels and thick solid wood material with very high thickness both at 90° and tilted cuts at $\pm 46^\circ$. The saw blade uses 100% of the motor power, thanks to the scoring blade with an independent motor as standard.



The scoring blade is adjustable from the outside without tools and allows fast and accurate positioning with no play.



unrivalled cutting finishing
Sliding Table.


Optimal support also to larger pieces, with the **new sliding table, 360 mm wide.**

Exceptional precision and smoothness to secure the guides it is not used glue, since the thickness could affect sliding. They are secured with a procedure of aluminum riveting.



simple and quick
Programmed movement.

The "Ready" control manages the powered and programmed movement of the sawblade unit increasing productivity and working quality.



Two positions overhead
blade protection for totally
safe machining.

immediate control

Squaring Frame and Fence.

Panel loading is easy on the large squaring frame with an idle roller at the end. The telescopic squaring fence with the inclined metric scale and two reversible stops can be used to square panels measuring 3200 x 3200 mm and for miter cuts at up to 45° on both sides of the frame.

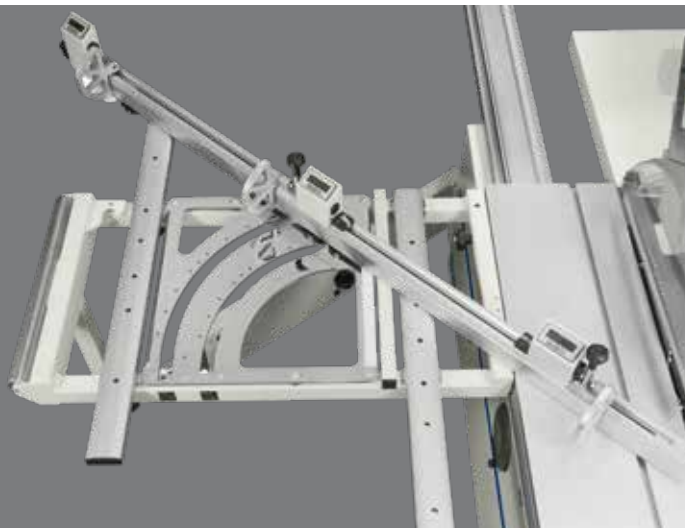
si x main optional devices

Ready 3 / Ready 3 UP
Automatic positioning of the parallel fence, from "Ready" control (3 axes). Programmed or manual fence movement with a hold-down drive for the maximum versatility. In addition the Ready 3 UP version has the control on the mobile control panel.



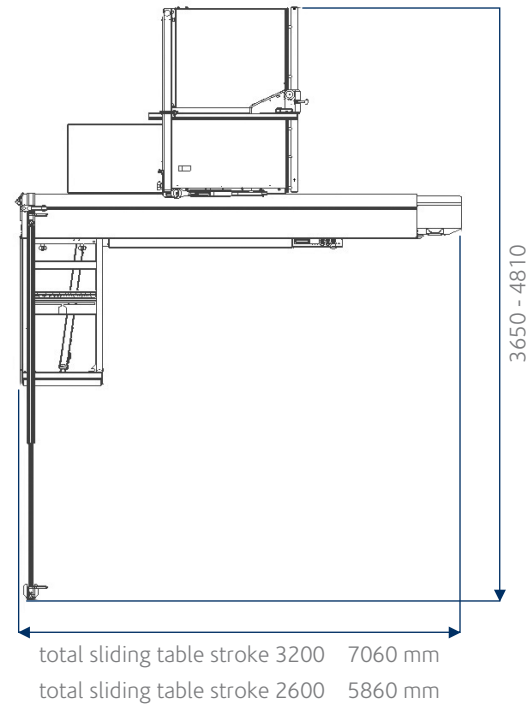
2 sawblades speeds
The two sawblade rotating speeds (3500 - 5000 rpm) are controlled by inverter.

Compex
to rapidly obtain angular cuttings with automatic self-adjusting of the stop position.



Digital readouts
on squaring stops with micrometric adjustment.

si x main optional devices



- S** Standard
- O** Option
- *** Standard for CE and USA/Canada versions

		si x
Cast-iron table dimensions	[mm]	1000 x 685
Saw blades tilting		-46° ÷ +46°
Max. saw blade diameter with scoring unit installed	[mm]	400
Max. saw blade projection from table at 90°/45°	[mm]	136/97/60
Scoring blade diameter	[mm]	160
Max. squaring capacity (standard)	[mm]	2600
Cutting width at parallel fence	[mm]	1270
other technical features:		
Three-phase motor		7kW (9,4hp) 50Hz – 8kW (11hp) 60Hz
Three-phase motor (scorer) S1		0,74kW (1hp) 50Hz – 0,9kW (1,2hp) 60Hz
Exhaust hoods diameter	[mm]	120 - 80
Start/stop pushbuttons for the main blade and scoring blade integrated in the sliding carriage		O
Complex		O
"READY 3" version (also with mobile control panel)		O
Digital readout		O
Angular cutting device		O
2 saw blade rotating speed (3500/5000 rpm)		O



FOR AN UNMATCHABLE
WORKING PRECISION
combined machines **16**

THE BEST THAT TECHNOLOGY
CAN OFFER AT AN ACCESSIBLE PRICE
planers **18**

elite S

maximum expression
of professional performances
and technology

FOR UNCOMPROMISING
QUALITY
circular saws **22**

CUSTOMISATION AND
FLEXIBILITY
spindle moulders **24**

elite s
 combined machines
 cu 410es universal combined machine
 st 5es saw-spindle moulder

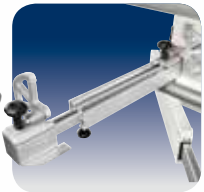


	cu 410es	st 5es
Planer useful working width	mm 410	-
Total length of surfacing tables	mm 2200	-
Max. saw blade diameter with scoring blade installed	mm 350	350
Squaring stroke	mm 2250 ÷ 3200	2250 ÷ 3200
Max. spindle length	mm 125	125
Three-phase motors starting from	kW/Hz 5 (6) / 50 (60)	5 (6) / 50 (60)

Find the complete technical specification at page 30



Saw Unit
unique worldwide



Squaring Fence
immediate control



Spindle Moulder
unsurpassed moulding



Controls on Wagon
high-tech devices



Complex
to quickly carry out angular cutting with automatic self-adjustment of the stop position



Sliding Table
unrivalled cutting finishing

Technology and professional performances in the woodworking combined machines, for an unmatched working precision.

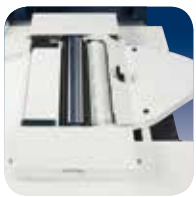
elite s
planers
fs 52es
f 52es
s 52es

surfacing-thicknessing planer
surfacing planer
thicknessing planer



		fs 52es	f 52es	s 52es
Planer useful working width	mm	520	520	520
Cutter block diameter (mm)/no. of standard knives	mm/n.	120 / 4	120 / 4	120 / 4
Total length of surfacing tables	mm	2250	2250	-
Min. ÷ max. working height on thicknesser	mm	3 ÷ 240	-	3 ÷ 240
Three-phase motors starting from	kW/Hz	7 (8) / 50 (60)	5 (6) / 50 (60)	7 (8) / 50 (60)

Find the complete technical specification at page 30



Planer Cutter Block
perfect finishing



Thickening Table
stability over time



Surfacing Tables
fast set up



Xylent
absolute silence



Planing Fence
absolute rigidity

Professional planers at an accessible price, for woodworking shops and demanding craftsmen that require high standard and no compromises.

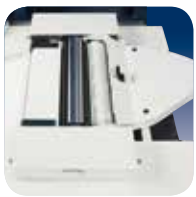
elite s
planers
fs 41es
f 41es
s 41es

surfacing-thicknessing planer
surfacing planer
thicknessing planer



		fs 41es	f 41es	s 41es
Planer useful working width	mm	410	410	410
Cutter block diameter (mm)/no. of standard knives	mm/n.	95 / 4	95 / 4	95 / 4
Total length of surfacing tables	mm	2200	2200	-
Min. ÷ max. working height on thicknesser	mm	3 ÷ 240	-	3 ÷ 240
Three-phase motors starting from	kW/Hz	5 (6) / 50 (60)	5 (6) / 50 (60)	5 (6) / 50 (60)

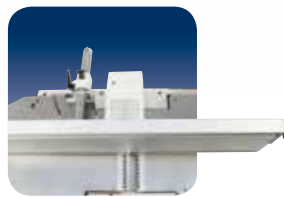
Find the complete technical specification at page 30



Planer Cutter Block
perfect finishing



Thickening Table
stability over time



Planing Fence
absolute rigidity

Professional planers at an accessible price, for woodworking shops and demanding craftsmen that require high standard and no compromises.

elite s
circular saws
si 400es
si 315es



	si 400es	si 315es
Max. saw blade diameter with scoring blade installed	mm 400	315
90°/45° max. saw blade projection from table	mm 138 / 98	101 / 71
Cutting width on parallel fence	mm 1270	1270
Squaring stroke	mm 2600 ÷ 3200	2600 ÷ 3200
Three-phase motors starting from	kW/Hz 5 (6) / 50 (60)	5 (6) / 50 (60)

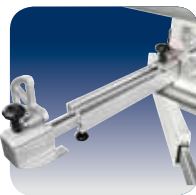
Find the complete technical specification at page 30



Saw Unit
unique worldwide



Powered Movements
rapidity and precision



Squaring Fence
immediate control



Controls on Wagon
high-tech devices



Sliding Table
unrivalled cutting finishing



Programmed fence
for parallel cutting

Professional circular saws with tilting blade for uncompromising quality.

elite s
spindle moulders
tw 55es
t 55es

with fixed or tilting spindle
with fixed spindle



	tw 55es	t 55es
Max. useful spindle length	mm 125	125
Max. tool diameter when profiling	mm 210 ÷ 240	210 ÷ 240
Max. tool diameter lowered under the table at 90°	mm 240	240
Max. tool diameter when tenoning	mm 320 (300 no CE)	-
Three-phase motors starting from	kW/Hz 5 (6) / 50 (60)	5 (6) / 50 (60)

Find the complete technical specification at page 30



Spindle Moulder
unsurpassed moulding



Moulder Guide
high-tech devices



Sliding Table
unrivalled cutting finishing

The professional spindle moulders that allow for customization and flexibility, for woodworking shops and demanding craftsmen.


elite s operating groups




unique worldwide

Saw Unit.

Unique in the world in its category, with a cutting height of 118 mm. The cast iron saw unit with a rigid **closed loop structure** can accommodate a blade of 315 and 350 mm diameter (up to 400 mm for si 400 es) **with the scoring blade mounted**, ensuring perfect and easy cutting of veneer panels and thick solid wood material. The saw blade uses 100% of the motor power, thanks to the **scoring blade with an independent motor as standard**.




The lifting of the blade unit is done by a robust cast iron structure with dovetail system.



The rotation fulcrums of the saw unit have a 120 mm diameter and stand on steady crescent shaped rests that separate it from the base: a rigid reliable solution.

90° ÷ 45°



The scoring blade is adjustable from the outside without tools and allows fast and accurate positioning with no play.



high-tech devices

Controls on Wagon.

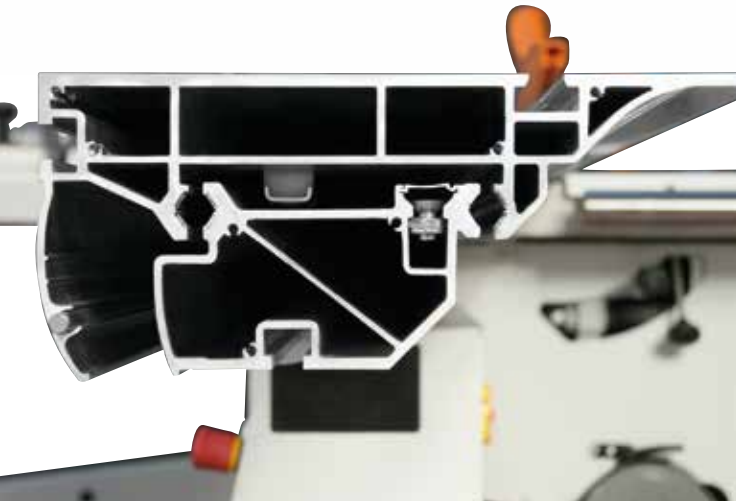
Wide range of high-tech devices to make your es even more powerful and personalized, like the **start/stop pushbuttons for the main blade and scoring blade integrated in the sliding carriage**; very useful when machining large dimensioned work pieces that prevent an easy and safe access to the main machine control panel.



immediate control

Squaring Frame and Fence.

Panel loading is easy on the large squaring frame with an idle roller at the end. **The telescopic squaring fence with the inclined metric scale and two reversible stops** can be used to square panels measuring 3200 x 3200 mm and for miter cuts at up to 45° on both sides of the frame.



unrivalled cutting finishing

Sliding Table.

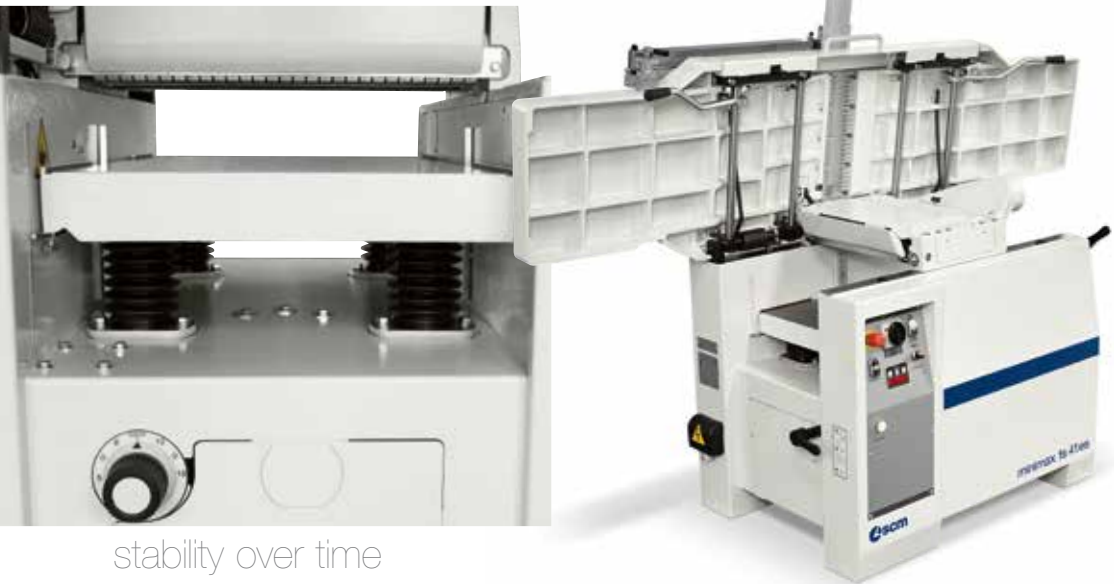
Optimal support also to larger pieces, with the **sliding table 360 mm wide**. Exceptional precision and smoothness: to secure the guides it is not used glue, since the thickness could affect sliding. They are secured with a procedure of aluminum riveting.

elite s operating groups

absolute rigidity

Planing Fence.

High rigid fence with a smooth movement thanks to the **central locking on round bar**.



stability over time

Tables Lifting.

Comfortable and precise planing. The es series adopt ergonomic solutions like the **2200 mm surfacing tables**, in ribbed cast iron, **with simultaneous opening** towards the inside of the machine with a 90° angle. For a maximum long lasting stability the cast iron thickening table lifts on **4 spindles with trapezoidal threads dust protected**.



perfect finishing

Planer Cutter Block.

An optimal planing with minimal effort, thanks to the 95 mm diameter cutter block (120 mm in planers of 520 mm working width) and 4 knives. For an impeccable finish the pressure of the thickener feed rollers can be adjusted according to the type of wood machined. The roller infeed (A) has a **helicoidal profile** to guarantee firm and constant work piece feed, while the outfeed roller (B) in sandblasted steel maintains the perfect post-processing finishing.



A

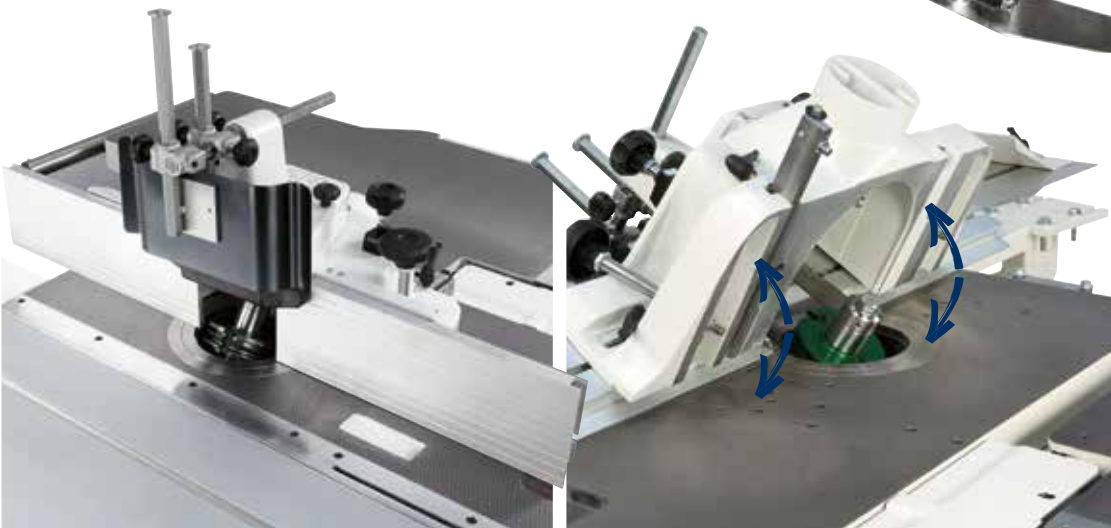
B

The spindle is surrounded by a cast iron "cup" to **protect the internal mechanical components** from shavings and sawdust.

unsurpassed moulding

Spindle Moulder.

Maximum stability and rigidity in all working conditions, thanks to a large spindle moulder column made entirely of cast iron. The 4 standard speed are ideal for any type of machining, from moulding to routing and tenoning, with the possibility to fit tools up to 320 mm of diameter (300 mm no CE).

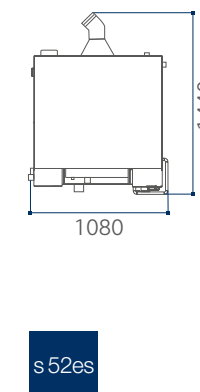
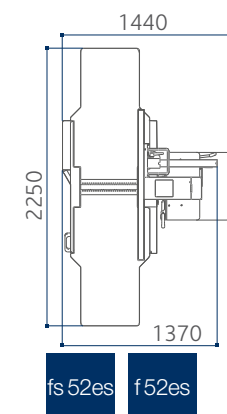
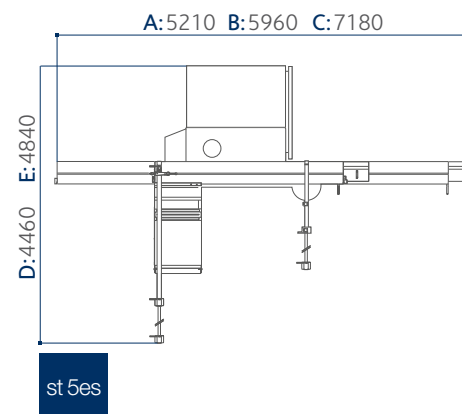
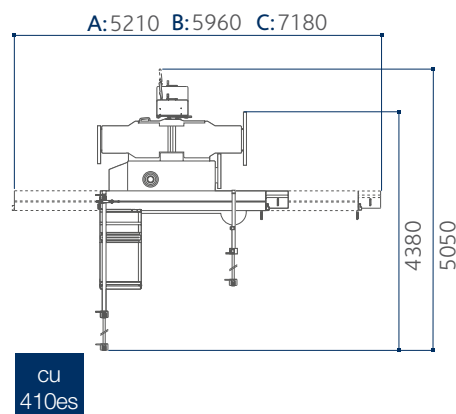


high-tech devices

Moulder Guide.

The spindle moulder hood uses a system for adjusting the guides with a rack and it is fitted with a mechanical digital readout. Thanks to the **system of memories** (on **t 55es** and **tw 55es** available as option) the hood can be removed and repositioned without losing the machining position. The maximum tool diameter mounted on the spindle lowered under the table at 90° is 240 mm. On request it is available with a spindle that tilts 45° (towards the inside of the machine).

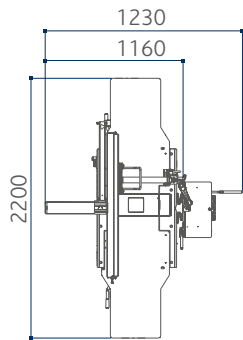
elite s dimensions and technical data



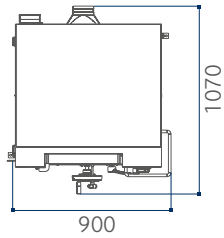
- A with wagon 2250 mm
 - B with wagon 2600 mm
 - C with wagon 3200 mm
 - D with 900 mm cutting width*
 - E with 1270 mm cutting width*
- *at the parallel fence

	cu 410es	st 5es	fs 52es
planer			
Working width	mm 410	-	520
Cutter block diameter (mm)/no. of standard knives	mm/n. 95 / 4	-	120 / 4
Dimensions of standard knives	mm 410 x 30 x 3	-	520 x 30 x 3
Max. stock removal	mm 5	-	5
Surfacing tables total length	mm 2200	-	2250
Thicknessing table dimensions	mm 410 x 775	-	520 x 850
Feed speed on thicknesser	m/min 6 / 12	-	5 / 8 / 12 / 18
Min. ÷ max. working height on thicknesser	mm 3 ÷ 240	-	3 ÷ 240
circular saw			
Cast iron saw-spindle moulder worktable dimensions	mm 1380 x 465	1380 x 465	-
Saw blade tilting	90° ÷ 45°	90° ÷ 45°	-
Max. saw blade diameter with scoring blade installed	mm 350	350	-
Max. saw blade projection from table at 90°/45°	mm 118 / 84	118 / 84	-
Squaring stroke	mm 2250 ÷ 3200	2250 ÷ 3200	-
Cutting width on parallel fence	mm 1000	900 ÷ 1270	-
spindle moulder			
Max. useful spindle length	mm 125	125	-
Spindle moulder speeds (at 50 Hz)	rpm 3500/6000/8000/10.000	3500/6000/8000/10.000	-
Max. tool diameter when profiling	mm 240	240	-
Max. diameter of tool lowered under the table at 90°	mm 240	240	-
Max. tool diameter when tenoning	mm 320 (300 no CE)	320 (300 no CE)	-
other technical features			
Three-phase motors 5 kW (6,6 hp) 50 Hz - 6 kW (8 hp) 60 Hz	S	S	-
Three-phase motors 7 kW (9,5 hp) 50 Hz with automatic star-delta start	O	O	S
Three-phase motors 9 kW (12 hp) 50 Hz - 11 kW (15 hp) 60 Hz with automatic star-delta start	-	-	O
Single-phase motors 2,2 kW (3 hp) 50 Hz	-	-	-
Single-phase motors S1 3,6 kW (4,8 hp) 60 Hz	O	O	O
Exhaust outlets diameter	mm 120	120	120

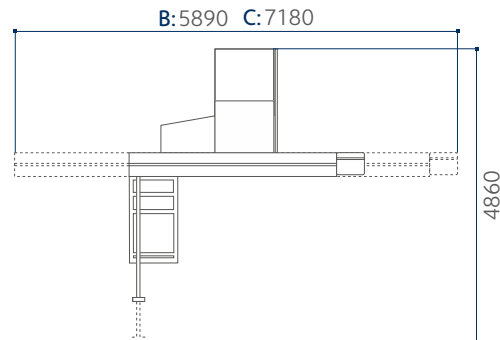
- S Standard
- O Option



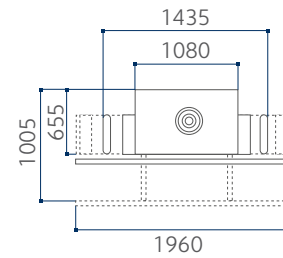
fs 41es f 41es



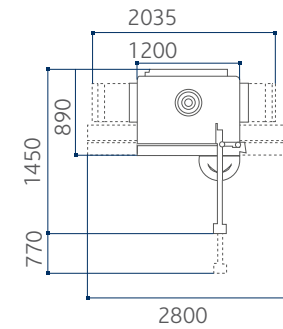
s 41es



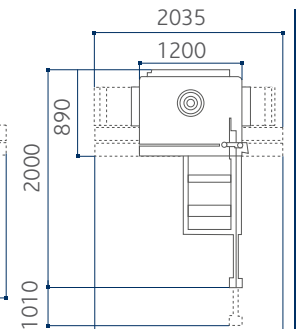
si 400es si 315es



t 55es



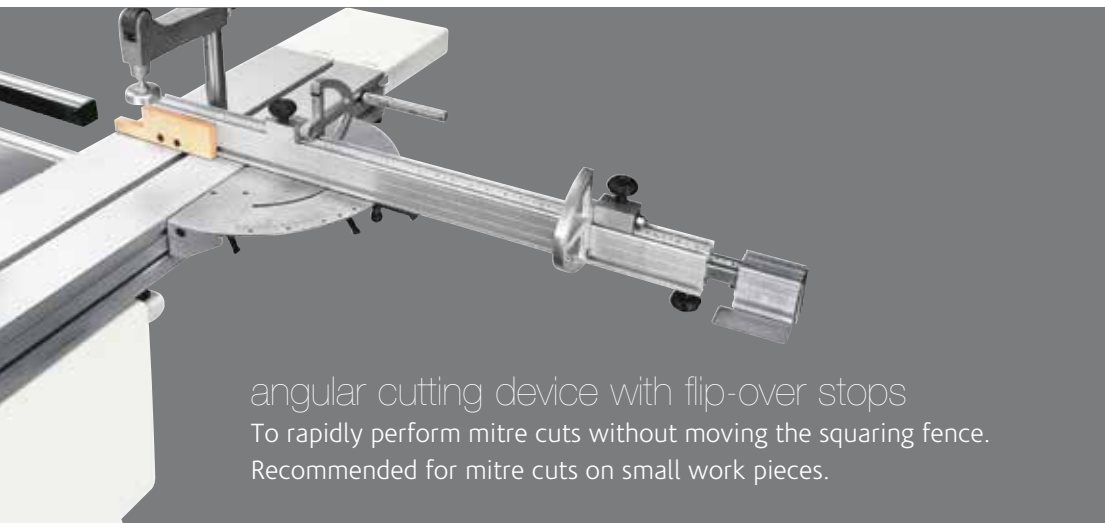
tw 55es



tw 55es with support frame

f 52es	s 52es	fs 41es	f 41es	s 41es	si 400es	si 315es	tw 55es	t 55es
520	520	410	410	410	-	-	-	-
120 / 4	120 / 4	95 / 4	95 / 4	95 / 4	-	-	-	-
520 x 30 x 3	520 x 30 x 3	410 x 30 x 3	410 x 30 x 3	410 x 30 x 3	-	-	-	-
5	5	5	5	5	-	-	-	-
2250	-	2200	2200	-	-	-	-	-
-	520 x 850	410 x 775	-	410 x 775	-	-	-	-
-	5 / 8 / 12 / 18	6 / 12	-	6 / 12	-	-	-	-
-	3 ÷ 240	3 ÷ 240	-	3 ÷ 240	-	-	-	-
-	-	-	-	-	940 x 560	940 x 560	-	-
-	-	-	-	-	90° ÷ 45°	90° ÷ 45°	-	-
-	-	-	-	-	400	315	-	-
-	-	-	-	-	138 / 98	101 / 71	-	-
-	-	-	-	-	2600 ÷ 3200	2600 ÷ 3200	-	-
-	-	-	-	-	1270	1270	-	-
-	-	-	-	-	-	-	125	125
-	-	-	-	-	-	-	3500/6000/8000/10.000	3500/6000/8000/10.000
-	-	-	-	-	-	-	210 ÷ 240	210 ÷ 240
-	-	-	-	-	-	-	240	240
-	-	-	-	-	-	-	320 (300 no CE)	-
S	-	S	S	S	S	S	S	S
O	S	O	-	O	O	O	O	O
-	O	-	-	-	-	-	-	-
-	-	-	-	-	-	-	O	O
O	O	O	O	O	O	O	O	O
120	120	120	120	120	120	120	120	120

elite s main optional devices

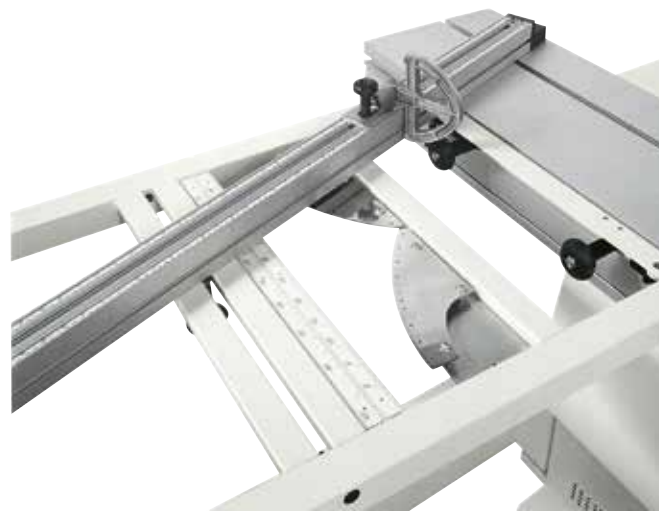


angular cutting device with flip-over stops
To rapidly perform mitre cuts without moving the squaring fence.
Recommended for mitre cuts on small work pieces.



additional table on the sliding carriage
For the support of large dimensioned panels.

pre-set angular
cutting device
directly positioned
on squaring frame
To find rapidly the most
common angles with the
squaring fence. Useful for
large work pieces.



digital readout
for the fence
position on the
parallel fence
It allows precise
positioning with the
magnetic strip sensor.



overhead blade protection
For totally safe machining.

"Tersa" cutter block
Automatic knives clamping by means of the centrifugal force ensures safe and precise machining. The system, without fixing screws, makes knives substitution extremely fast.

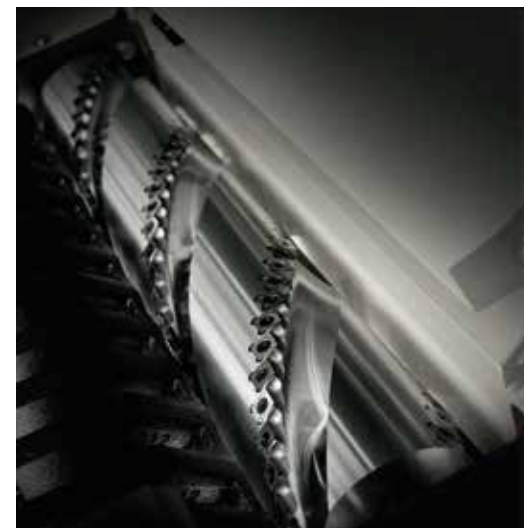


cast iron mortiser
Drilling holes and mortises are easily carried out. Complete with exhaust hood, 120 mm diameter and 16 mm chuck.

maintenance case for
"Xylent" spiralknife

Complete with:

- 1 cleaning/degreasing liquid bottle for the resins cleaning
- 1 set dynamometric key
- 2 bit Torx
- 10 inserts
- 5 screws
- 1 brass bristle brush to clean the spindle with mounted in inserts
- 1 steel bristle brush to clean the inserts housings



"Xilent" spiralknife cutter block
with 3 series of knives

The 3 spiralknives give an exceptional finish. Reduced noise during machining provides a more comfortable working environment. It also improves the dust extraction due to the production of very small chips. Each cutter has 4 tips which can be rotated into the cutting position when worn. Therefore increasing the production life of the cutter block before knives require replacement.

elite s main optional devices

self-centering
chuck 0-16 mm
"Wescott" type

The mortiser spindles can be rapidly substituted without the necessity of adjustment.



chuck with clamp
It allows harder machining thanks to the stronger bits. The chuck includes 3 clamps 5/10/16 mm.



thickening
table with two
removable
idle rollers

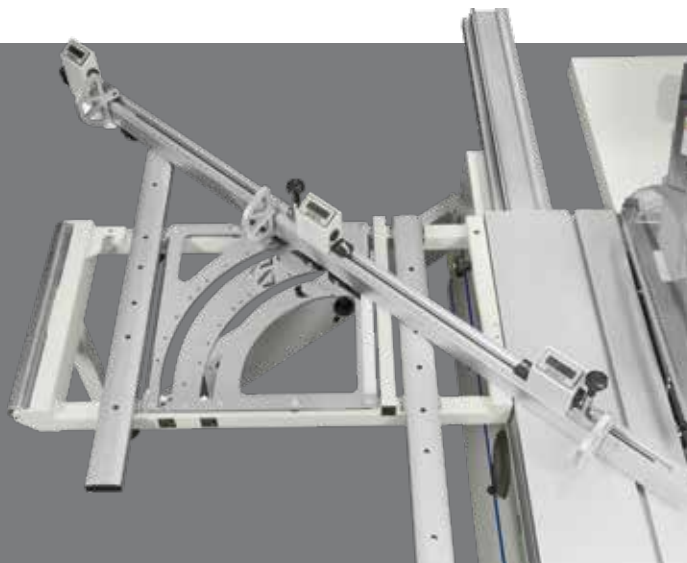
It assists the feed for demanding pieces.



additional overturning
fence for thin work pieces
It ensures optimum operator safety when machining thin work pieces.



complex
to rapidly obtain angular
cuttings with automatic
self-adjustment of the
stops position.



dado set
mechanical presetting to
use a tool (not included) in
place of the main blade.



ready 3 /
programmed
parallel fence
automatic parallel fence
positioning, available for
version with 1 and 3 axes.



digital readouts
on squaring stops with
micrometric adjustment,



tenoning table and protection hood

For the tenoning operations on the spindle moulder. It consists of:

- table
- protection hood for tools, 320 mm diameter (300 mm USA/Canada)
- exhaust hood, 120 mm diameter



electric pre-setting and flip over support for feeder

This solution allows a total exclusion of the device and prevents interference with other parts of the machine.



A



B

interchangeable spindle (A)

For a very quick spindle substitution. Among the spare spindle, it is available also the spindle for router bits. (B)

roller telescopic extensions for spindle moulder

For the machining of work pieces with large dimensions.



powered handling of the operating groups with digital readouts

For the best precision and easy-to-use.



elite s principali dispositivi opzionali

- S** Standard
- O** Option
- *** Standard for CE and USA/Canada versions

	cu 410es	st 5es	fs 52es	f 52es	s 52es	fs 41es	f 41es	s 41es	si 400es	si 315es	tw 55es	t 55es
Angular cutting device with flip-over stops	O	O	-	-	-	-	-	-	O	O	-	-
Pre-set angular cutting device directly positioned on squaring frame	O	O	-	-	-	-	-	-	O	O	-	-
Digital readout for the fence position on the parallel fence	-	O	-	-	-	-	-	-	O	O	-	-
Start/stop pushbuttons for the saw blade and scoring blade integrated in the sliding carriage	O	O	-	-	-	-	-	-	O	O	-	-
Additional table on the sliding carriage	O	O	-	-	-	-	-	-	O	O	-	-
Overhead blade protection	-	O*	-	-	-	-	-	-	O*	O	-	-
"Tersa" cutter block	O	-	O	O	O	O	O	O	-	-	-	-
"Xylent" spiralknife cutter block with 3 series of knives	O	-	O	O	O	O	O	O	-	-	-	-
Maintenance case for "Xylent" spiralknife	O	-	O	O	O	O	O	O	-	-	-	-
Cast iron mortiser	O	-	O	O	-	O	O	-	-	-	-	-
Self-centering chuck 0-16 mm "Wescott" type	O	-	O	O	-	O	O	-	-	-	-	-
Chuck with clamp	O	-	O	O	-	O	O	-	-	-	-	-
Thickening table with two removable idle rollers	-	-	O	-	O	-	-	-	-	-	-	-
Additional overturning fence for thin work pieces	-	-	O	O	-	O	O	-	-	-	-	-
Tenoning table and protection hood	O	O	-	-	-	-	-	-	-	-	O	-
Electric pre-setting and flip over support for feeder	O	O	-	-	-	-	-	-	-	-	O	-
Interchangeable spindle	O	O	-	-	-	-	-	-	-	-	O	O
Roller telescopic extensions for spindle moulder	-	-	-	-	-	-	-	-	-	-	O	O
Powered handling of the operating groups with digital readouts	O	O	O	-	S	O	-	O	O	O	O	-
Compex	O	O	-	-	-	-	-	-	O	O	-	-
Dado set	-	O	-	-	-	-	-	-	O	O	-	-
Digital readouts	O	O	-	-	-	-	-	-	O	O	-	-
Ready 3 / Programmed parallel fence	-	-	-	-	-	-	-	-	O	O	-	-





elite

solid, flexible
and economical

FOR A SUPERIOR QUALITY
FINISHED PRODUCT

combined machines **40**

ACCURATE AND EFFICIENT ON
EVERY WORKING PROCESS

combined machine and circular saw **42**

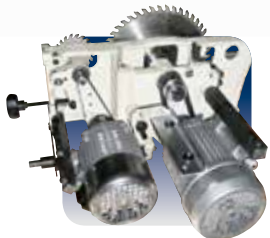
elite combined machines cu 410e fs 41e

universal combined machine
surfacing-thicknessing planer

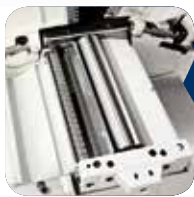


	cu 410e	fs 41e
Planer useful working width	mm 410	410
Total length of surfacing tables	mm 2000	2000
Max. saw blade diameter with scoring blade installed	mm 3 ÷ 240	3 ÷ 240
Squaring stroke	mm 315	-
Max. spindle length	mm 125	-
Three-phase motors starting from	kW/Hz 4 (4,8) / 50 (60)	4 (4,8) / 50 (60)

Find the complete technical specification at page 48



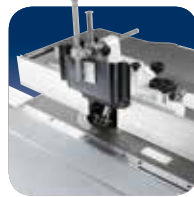
Saw Unit
stability and rigidity



Planer Cutter Block
perfect finishing



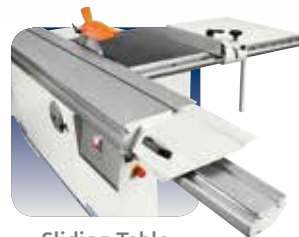
Spindle Moulder
versatility



Moulder Guide
hi-tech devices



Digital Readout
hi-tech devices



Sliding Table
precise and quiet

Solid, flexible and affordable machines for woodworking shops and demanding craftsmen that want to achieve a qualitatively superior finished product.

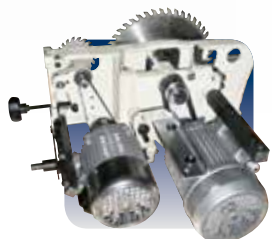
combined machine and circular saw

elite
 st 4e saw-spindle moulder
 sc 4e circular saw



	st 4e	sc 4e
Max. saw blade diameter with scoring blade installed	mm 315	315
Squaring stroke	mm 1600 ÷ 3200	2250 ÷ 3200
Max. useful spindle length	mm 125	-
Three-phase motors starting from	kW/Hz 4 (4,8) / 50 (60)	4 (4,8) / 50 (60)

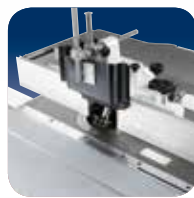
Find the complete technical specification at page 48



Saw Unit
stability and rigidity



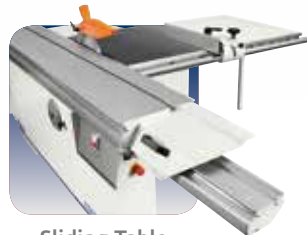
Spindle Moulder
versatility



Moulder Guide
hi-tech devices



Digital Readout
hi-tech devices



Sliding Table
precise and silent

elite operating groups



The lifting of the blade unit is done by a robust cast iron structure with dovetail system.



The rotation fulcrums of the saw unit have a 120 mm diameter and stand on steady crescent shaped rests that separate it from the base: a rigid reliable solution.



90° ÷ 45°

stability and rigidity

Saw Unit.

The new **saw unit closed loop structure is made of a heavy cast iron** and is supported firmly under the table by two lateral supports in a crescent shape. These solutions give strength and rigidity, guaranteeing perfect cutting results. The saw unit can be equipped, on request, with scoring blade for perfect cutting even on veneered panels. The scoring blade is an option available in two versions: with belt transmission from the main motor and with an independent motor 0.75 HP (0.55 kW). The maximum diameter allowed for the main saw is **315 mm with scoring blade mounted**.

The scoring blade is adjustable from the outside without tools and allows fast and accurate positioning with no play.

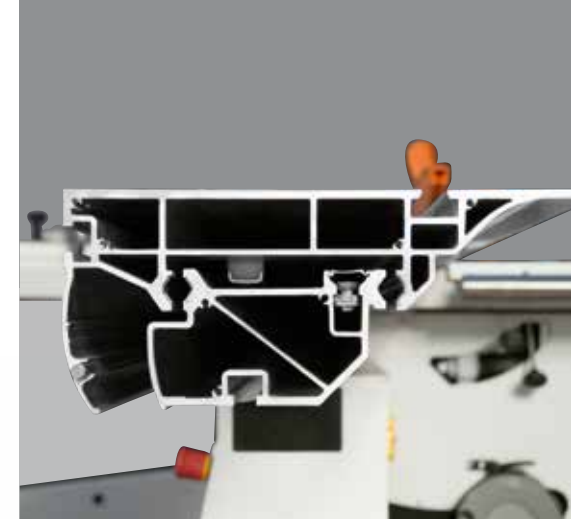




precise and silent

Sliding Table.

Optimal support also to larger pieces, with the **sliding table 360 mm wide**. Exceptional precision and smoothness: to secure the guides it is not used glue, since the thickness could affect sliding. They are secured with a procedure of aluminum riveting.



high-tech devices

Digital Readout.

The round cross-section sliding bar for the parallel fence (optional device for **cu 410e**) with micrometric adjustments ensures a smooth, fast and especially precise positioning of the fence. The support of the fence can also be equipped with a **digital readout**, with the sensor running on a magnetic stripe (option).

Panel loading is easy on the **large squaring frame** with an idle roller at the end. The **telescopic squaring fence with two reversible stops** can be used to square panels measuring 3200 x 3200 mm and for miter cuts at up to 45° on both sides of the frame.

elite operating groups



perfect finishing

Planer Cutter Block.

The planer unit stands on cast iron supports and the standard version has a 87 mm diameter cutter block with 3 knives. (The optional "Tersa" cutter block is available with 4 quick tightening knives and automatic adjustment).

For an impeccable finish, the pressure of the thicknesser feed rollers can be adjusted according to the type of wood machined.

The infeed roller (A) has a **helicoidal profile** to guarantee firm and constant work piece feed, while the outfeed roller (B), in sandblasted steel, maintains the perfect post-processing finishing.



A

B

Two feed speed for the standard thicknesser (6 - 12 m/min.). In the **cu 410e** the planers open towards the circular saw-spindle moulder side: an ergonomic solution with minimum amount of space.



The **fs 41e** uses a dedicated planing fence extremely rigid and smooth, thanks to a support with central round bar.



functional and customisable

A machine even more versatile: with the practical **mortiser** (option) drilling holes or mortises are easily done.



versatility

Spindle Moulder.

Maximum stability and rigidity in all working conditions, thanks to a large spindle moulder column made entirely of cast iron.

The 4 standard speed are ideal for any type of machining, from moulding to routing and tenoning with the possibility to fit tools up to 275 mm of diameter. The spindle is surrounded by a cast iron "cup" to protect the internal mechanical components from shavings and sawdust.



high-tech devices

Moulder Fence.

The standard spindle moulder hood (A) can house tools of maximum diameter 210 mm. Available as an option, the spindle moulder hood that uses an adjustment system of the guides through rack and it has a mechanical digital readout (B). Thanks to the **memories system**, this hood can be removed and replaced without losing the operating position.

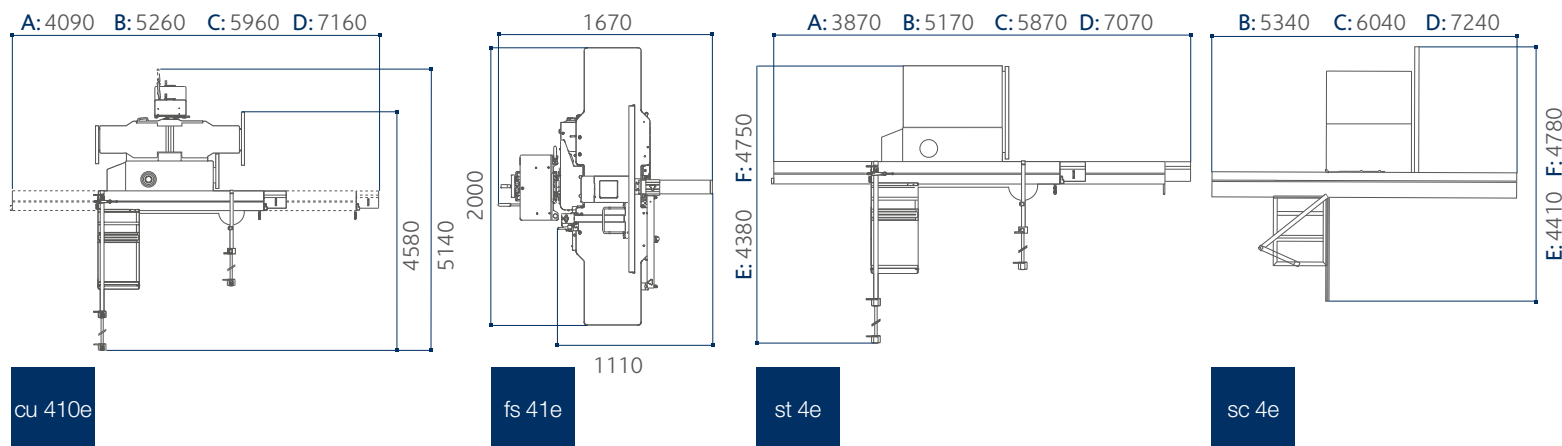
The maximum capacity of the tool used in profiling is 240 mm in diameter. It is available, on request, the tilting spindle 45° towards the inside machine.



A

B

elite dimensions and technical data



S Standard
O Option

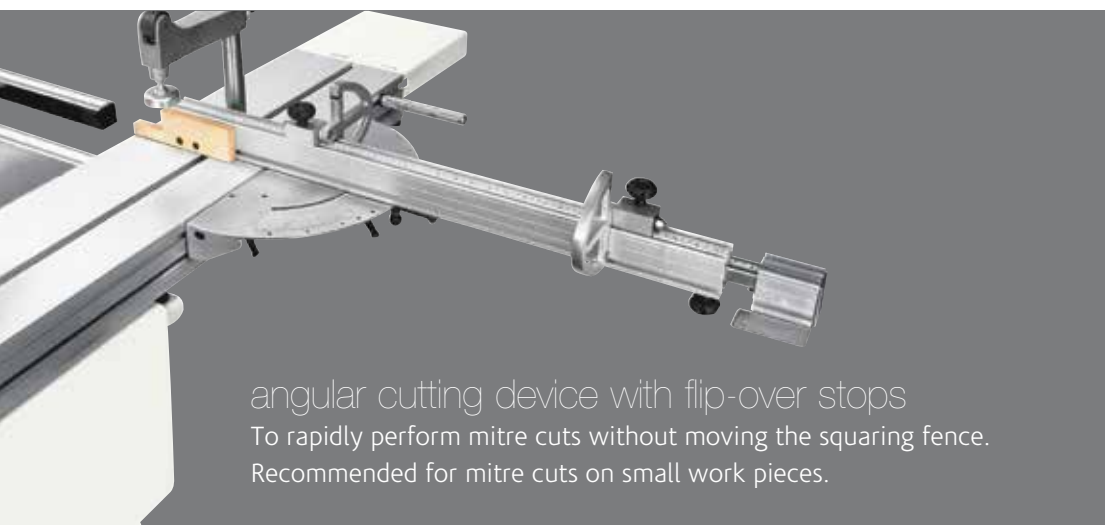
		cu 410e	fs 41e	st 4e	sc 4e
planer					
Working width	mm	410	410	-	-
Cutter block diameter (mm)/no. of standard knives	mm/n.	87 / 3	87 / 3	-	-
Dimensions of standard knives	mm	410 x 30 x 3	410 x 30 x 3	-	-
Max. stock removal	mm	5	5	-	-
Surfacing tables total length	mm	2000	2000	-	-
Thicknessing table dimensions	mm	423 x 775	423 x 775	-	-
Feed speed on thickneser	m/min	6 / 12	6 / 12	-	-
Min. ÷ max. working height on thickneser	mm	3 ÷ 230	3 ÷ 230	-	-
circular saw					
Cast iron saw-spindle moulder worktable dimensions	mm	1250 x 430	-	1250 x 430	840 x 560
Saw blade tilting		90° ÷ 45°	-	90° ÷ 45°	90° ÷ 45°
Max. saw blade diameter with scoring blade installed	mm	315	-	315	315
Max. saw blade projection from table at 90°/45°	mm	100 / 70	-	100 / 70	100 / 70
Squaring stroke	mm	1600 ÷ 3200	-	1600 ÷ 3200	2250 ÷ 3200
Cutting width on parallel fence	mm	1050	-	900 ÷ 1270	900 ÷ 1270
spindle moulder					
Max. useful spindle length	mm	125	-	125	-
Spindle moulder speeds (at 50 Hz)	rpm	3500 / 6000 / 8000 / 10.000	-	3500 / 6000 / 8000 / 10.000	-
Max. tool diameter when profiling	mm	210 ÷ 240	-	210 ÷ 240	-
Max. diameter of tool lowered under the table at 90°	mm	240	-	240	-
Max. tool diameter when tenoning	mm	275	-	275	-
other technical features					
Three-phase motors 4 kW (5,5 hp) 50 Hz - 4,8 kW (6,5 hp) 60 Hz		S	S	S	S
Three-phase motors 5 kW (6,6 hp) 50 Hz - 6 kW (8 hp) 60 Hz		O	O	O	O
Three-phase motors 7 kW (9,5 hp) 50 Hz with direct start		O	O	O	O
Single-phase motors 2,2 kW (3 hp) 50 Hz		O	O	O	O
Single-phase motors S1 3,6 kW (4,8 hp) 60 Hz		O	O	O	O
Exhaust outlets diameter	mm	120	120	120	120

- A with wagon 1600 mm
 - B with wagon 2250 mm
 - C with wagon 2600 mm
 - D with wagon 3200 mm
 - E with 900 mm cutting width*
 - F with 1270 mm cutting width*
- *at the parallel fence*

elite
main
optional
devices



additional table on the sliding carriage
For the support of large dimensioned panels.



angular cutting device with flip-over stops
To rapidly perform mitre cuts without moving the squaring fence.
Recommended for mitre cuts on small work pieces.



overhead blade protection
For totally safe machining.

pre-set angular
cutting device
directly positioned
on squaring frame
To find rapidly the most
common angles with the
squaring fence. Useful for
large work pieces.



digital readout for the fence
position on the parallel fence
It allows precise positioning with the
magnetic strip sensor.



"Tersa" cutter block

Automatic knives clamping by means of the centrifugal force ensures safe and precise machining. The system, without fixing screws, makes knives substitution extremely fast.



cast iron mortiser

Drilling holes and mortises are easily carried out. Complete with exhaust hood, 120 mm diameter and 16 mm chuck.



"Xilent" spiralknife cutter block with 3 series of knives

The 3 spiralknives give an exceptional finish. Reduced noise during machining provides a more comfortable working environment. It also improves the dust extraction due to the production of very small chips. Each cutter has 4 tips which can be rotated into the cutting position when worn. Therefore increasing the production life of the cutter block before knives require replacement.

self-centering chuck 0-16 mm "Wescott" type

The mortiser spindles can be rapidly substituted without the necessity of adjustment.



maintenance case for "Xilent" spiralknife

Complete with:

- 1 cleaning/degreasing liquid bottle for the resins cleaning
- 1 set dynamometric key
- 2 bit Torx
- 10 inserts
- 5 screws
- 1 brass bristle brush to clean the spindle with mounted in inserts
- 1 steel bristle brush to clean the inserts housings



chuck with clamp

It allows harder machining thanks to the stronger bits. The chuck includes 3 clamps 5/10/16 mm.



additional overturning fence for thin work pieces
It ensures optimum operator safety when machining thin work pieces.



A



B

interchangeable spindle (A)
For a very quick spindle substitution. Among the spare spindle, it is available also the spindle for router bits. (B)

tenoning table and protection hood
For the tenoning operations on the spindle moulder. It consists of:
- table
- protection hood for tools, 275 mm diameter
- exhaust hood, 120 mm diameter



dado set
mechanical presetting to use a tool (not included) in place of the main blade.



electric pre-setting and flip over support for feeder
This solution allows a total exclusion of the device and prevents interference with other parts of the machine.

wheels for machine movement



elite principali dispositivi opzionali

S Standard
O Option

	cu 410e	fs 41e	st 4e	sc 4e
Angular cutting device with flip-over stops	O	-	O	O
Pre-set angular cutting device directly positioned on squaring frame	O	-	O	O
Digital readout for the fence position on the parallel fence	-	-	O	O
Additional table on the sliding carriage	O	-	O	O
Overhead blade protection	-	-	O	O
Numerical readouts for the groups positioning	O	O	O	O
"Tersa" cutter block	O	O	-	-
"Xylent" spiralknife cutter block with 3 series of knife	O	O	-	-
Maintenance case for "Xylent" spiralknives	O	O	-	-
Cast iron mortiser	O	O	-	-
Self-centering chuck 0-16 mm "Wescott" type	O	O	-	-
Chuck with clamp	O	O	-	-
Additional overturning fence for thin work pieces	-	O	-	-
Three movement adjustable spindle moulder fence	O	-	O	-
Tenoning table and protection hood	O	-	O	-
Electric pre-setting and flip over support for feeder	O	-	O	-
Interchangeable spindle	O	-	O	-
Wheels for machine movement	O	O	-	-
Dado set	-	-	O	O



classic

essentiality and
practicality

BEST VALUE FOR
PRICE/PERFORMANCE RATIO

universal combined machines **56**

THE COMPACT SOLUTIONS
WITH HIGH PRECISION AT
LOWER INVESTMENT

combined machines **58**

PERFORMANCE
WITHOUT LIMITS

circular saws **60**

VERSATILITY AND
EASE OF USE

spindle moulders **62**

classic
universal
combined machines
cu 410c
cu 300c



	cu 410c	cu 300c
Planer useful working width	mm 410	300
Total length of surfacing tables	mm 1800	1510
Max. saw blade diameter with scoring blade installed	mm 315	315
Squaring stroke	mm 1660 ÷ 2660	1660 ÷ 2660
Max. spindle length	mm 100	100
Three-phase motors starting from	kW/Hz 5 (6) / 50 (60)	5 (6) / 50 (60)

Find the complete technical specification at page 68



Squaring Frame and Fence
maximum performance



Saw Unit
performance without limits



Surfacing Tables Opening
exceptional accessibility



5 kW Power
provided as standard

The best price to performances ratio with the essentiality and practicality required by DIY woodworkers and craftsmen.

classic combined machines

st 3c saw-spindle moulder
 fs 41c surfacing-thicknessing planers
 fs 30c



		st 3c	fs 41c	fs 30c
Max. saw blade diameter with scoring blade installed	mm	315	-	-
Squaring stroke	mm	1660 ÷ 2660	-	-
Max. spindle length	mm	100	-	-
Planer useful working width	mm	-	410	300
Cutter block diameter (mm)/no. of standard knives	mm/n.	-	72 / 3	72 / 3
Total length of surfacing tables	mm	-	1800	1510
Min. ÷ max. working height on thicknesser	mm	-	3 ÷ 230	3 ÷ 230
Three-phase motors starting from	kW/Hz	5 (6) / 50 (60)	4 (4,8) / 50 (60)	4 (4,8) / 50 (60)

Find the complete technical specification at page 68



Squaring Frame and Fence
maximum performance



Saw Unit
performance without limits



5 kW Power
provided as standard



Planer Cutter Block
best result



Surfacing Fence
absolute rigidity

Compact and highly precise solutions with a low investment.

classic
circular saws
sc 3c
sc 2c



	sc 3c	sc 2c
Max. saw blade diameter with scoring blade installed	mm 315	315
90°/45° max. saw blade projection from table	mm 100 / 79	100 / 79
Cutting width on parallel fence	mm 900 ÷ 1270	900 ÷ 1270
Squaring stroke	mm 2310 ÷ 2660	1660
Three-phase motors starting from	kW/Hz 5 (6) / 50 (60)	4 (4,8) / 50 (60)

Find the complete technical specification at page 68



Saw Unit
performance without limits



Digital Readout
high-tech devices



Sliding Table
exclusive

Compact and highly precise solutions with a low investment for DIY woodworkers and craftsmen.

classic
 spindle moulders
 tw 45c with fixed or tilting spindle
 t 45c with fixed spindle

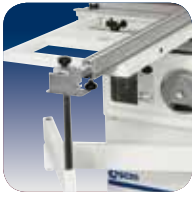


		tw 45c	t 45c
Max. useful spindle length	mm	100	100
Max. tool diameter when profiling	mm	210	210
Max. tool diameter lowered under the table at 90°	mm	180	180
Max. tool diameter when tenoning	mm	275	-
Three-phase motors starting from	kW/Hz	5 (6) / 50 (60)	5 (6) / 50 (60)

Find the complete technical specification at page 68



Spindle Moulder
any type of machining



Frame Support
optimal support



Table Extensions
optimal support

Versatility and ease of use of the spindle moulders,
ideal for DIY woodworkers and craftsmen.

classic operating groups



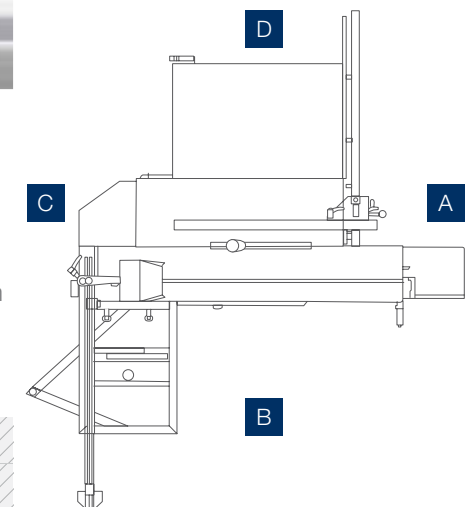
performance without limits

Saw Unit.

Incredible cutting of both very thick solid wood and panels, even those veneered, thanks to the new saw unit with a blade that has a maximum diameter of 315 mm with the scoring blade installed.

The new **scoring unit** can be supplied on request and **can easily be adjusted from outside the machine.**

A clean machine environment facilitates maintenance avoiding mechanical breakdowns of the units and improving the machine's precision and reliability over time. Very high effective saw unit exhaust hood: the tests carried out by Scm's studies highlighted a **maximum dust emission level 90% lower with respect to the maximum level allowed by the European safety regulations!**



Machining	Maximum value according to the CE norms	Position A	Position B	Position C	Position D
Strips cut	2 mg/m ³	0.08 mg/m ³	0.10 mg/m ³	0.04 mg/m ³	0.16 mg/m ³



exclusive

Sliding Table.

Easier and more precise cutting is possible due to a perfectly stable support that is guaranteed, even for large work pieces, by the **wide sliding table** and the **large squaring frame fence provided as standard**. **Top quality precision, smooth and silent action, self-cleaning dustproof system, long lasting accuracy, no adjustments required.** The sliding table is made of extruded anodized aluminum with a closed honeycomb structure. The sliding table runs on an exclusive slide way system consisting of calibrated and hardened F550 SX steel guides.

maximum performance as standard

Squaring Frame and Fence.

The **sc 2c** squaring frame (A) is complete with a telescopic fence with a retractable stop. The other classic machines (B) are equipped with a **large squaring frame (960 x 600 mm)** complete with:

- telescopic fence with 2 flip-over stops
- eccentric clamp
- telescopic swinging arm support

cu 300c and **cu 410c** are equipped with a saw-planer multifunction fence, designed to be easily positioned and removed to allow **rapid work changeover**.

Precise and rapid positioning with the parallel fence with a **round sliding bar**, in rectified steel and complete with "high rigidity" cast iron support, standard for all the other Classic machines. (see picture)



classic operating groups



optimal planing

Planer Cutter Block.

The planer unit in the standard version has a 72 mm diameter cutter block with 3 knives (the optional "Tersa" cutter block is available with quick tightening knives and automatic adjustment). For an impeccable result, the pressure of the thickener feed rollers can be adjusted according to the type of wood machined. The thickener infeed roller (A) **has helical tooling** to guarantee strong, constant work piece feed. In contrast, the sandblasted steel outfeed roller (B) maintains the perfect post-machining finish.



absolute rigidity

Surfacing Fence.

Very high rigidity of the **fs 30c** and **fs 41c** surfacing fences made of extruded aluminum with respectively 1300 and 1670 mm length.



exceptional accessibility

Surfacing Tables Opening.

Thickening is more comfortable: during the changeover from surfacing to thickening **the surfacing tables open towards the inside of the machine, with a 90° angle, and simultaneously.** Work pieces with a maximum height of 230 mm can be machined to the thickener. **The new design of the dust conveyor, protecting the cutter block, is specifically intended to further increase system safety and efficiency.**





On request, it is available the 45° tilting spindle, toward the inside of the machine (for **st 3c** and **tw 45c** only).

professional and very sturdy

Spindle Moulder Unit.

The unit has a cast iron structure. It is closed off by a cast iron “cup” to **protect mechanical components inside the machine** from sawdust, shavings and dirt. **Precise and safe machining** with the spindle moulder fence with micrometric adjustment complete with vertical and horizontal pressers.

customisable for any requirement

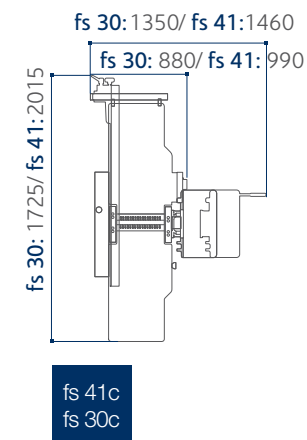
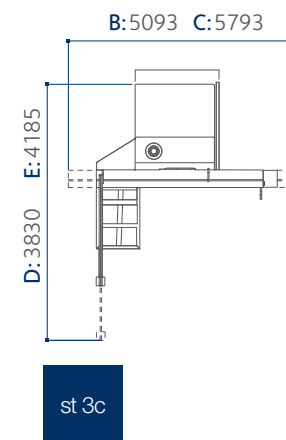
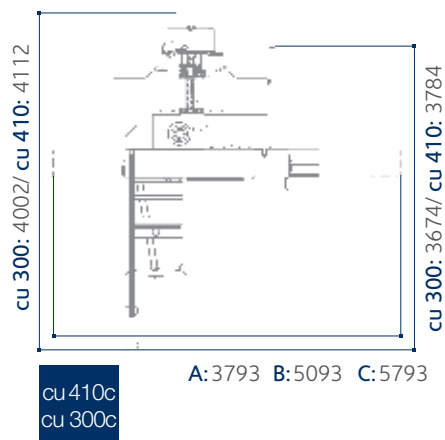
Table Extensions and Frame Support.

On **t 45c**, the table extensions at outfeed and infeed and the telescopic front support with support rollers (options) make easier the machining of large dimensions work pieces.

The 270 mm sliding table on **tw 45c**, provides a greater support, very useful also for tenoning. Precise cuttings, even for large work pieces, with the support frame (option) with telescopic fence.



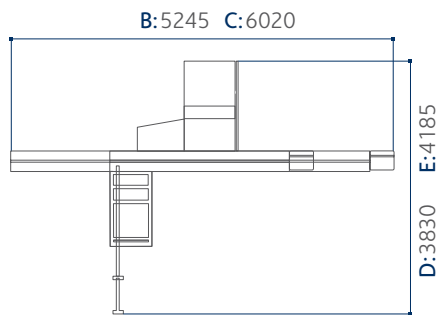
classic dimensions and technical data



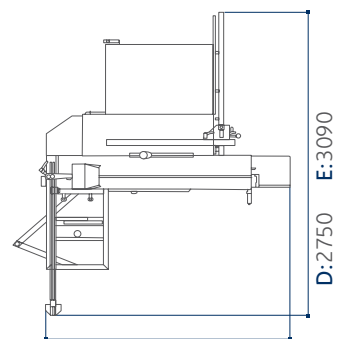
- A with wagon 1600 mm
 - B with wagon 2250 mm
 - C with wagon 2600 mm
 - D with 900 mm cutting width*
 - E with 1270 mm cutting width*
- *at the parallel fence

	cu 410c	cu 300c
planer		
Working width	mm 410	300
Cutter block diameter (mm)/no. of standard knives	mm/n. 72 / 3	72 / 3
Dimensions of standard knives	mm 410 x 30 x 3	300 x 30 x 3
Max. stock removal	mm 4	4
Surfacing tables total length	mm 1800	1510
Thickening table dimensions	mm 410 x 605	300 x 585
Feed speed on thickener	m/min 7	7
Min. ÷ max. working height on thickener	mm 3 ÷ 230	3 ÷ 230
circular saw		
Cast iron saw-spindle moulder worktable dimensions	mm 1115 x 335	1115 x 335
Saw blade tilting	90° ÷ 45°	90° ÷ 45°
Max. saw blade diameter with scoring blade installed	mm 315	315
Max. saw blade projection from table at 90°/45°	mm 100 / 79	100 / 79
Squaring stroke	mm 1660 ÷ 2660	1660 ÷ 2660
Cutting width on parallel fence	mm 900	820
spindle moulder		
Max. useful spindle length	mm 100	100
Spindle moulder speed (at 50 Hz)	rpm 3500 / 7000 / 10.000	3500 / 7000 / 10.000
Max. tool diameter when profiling	mm 210	210
Max. diameter of tool lowered under the table at 90°	mm 180	180
Max. tool diameter when tenoning	mm 275	275
other technical features		
Three-phase motors 4 kW (5,5 hp) 50 Hz - 4,8 kW (6,5 hp) 60 Hz	-	-
Three-phase motors 5 kW (6,6 hp) 50 Hz - 6 kW (8 hp) 60 Hz	S	S
Single-phase motors 2,2 kW (3 hp) 50 Hz	O	O
Single-phase motors S1 3,6 kW (4,8 hp) 60 Hz	O	O
Exhaust outlets diameter	mm 120	120

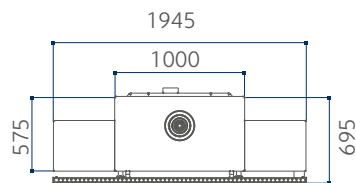
- S Standard
- O Option



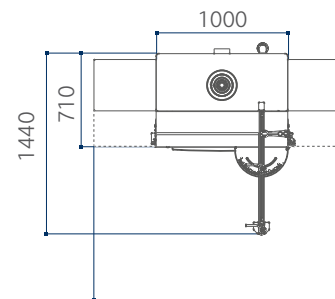
sc 3c



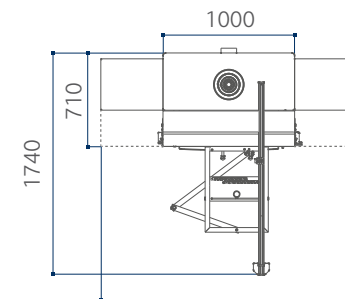
sc 2c



t 45c



tw 45c



tw 45c

2200
with support
frame

st 3c	fs 41c	fs 30c	sc 3c	sc 2c	tw 45c	t 45c
-	410	300	-	-	-	-
-	72 / 3	72 / 3	-	-	-	-
-	410 x 30 x 3	300 x 30 x 3	-	-	-	-
-	4	4	-	-	-	-
-	1800	1510	-	-	-	-
-	410 x 605	300 x 585	-	-	-	-
-	7	7	-	-	-	-
-	3 ÷ 230	3 ÷ 230	-	-	-	-
1115 x 430	-	-	840 x 560	1020 x 325	-	-
90° ÷ 45°	-	-	90° ÷ 45°	90° ÷ 45°	-	-
315	-	-	315	315	-	-
100 / 79	-	-	100 / 79	100 / 79	-	-
1660 ÷ 2660	-	-	2310 ÷ 2660	1660	-	-
900 ÷ 1270	-	-	900 ÷ 1270	900 ÷ 1270	-	-
100	-	-	-	-	100	100
3500 / 7000 / 10.000	-	-	-	-	3500 / 7000 / 10.000	3500 / 7000 / 10.000
210	-	-	-	-	210	210
180	-	-	-	-	180	180
275	-	-	-	-	275	-
-	S	S	-	S	-	-
S	O	O	S	O	S	S
O	O	O	O	O	O	O
O	O	O	O	O	O	O
120	120	120	120	120	120	120

classic
main
optional
devices



additional table on the sliding carriage
For the support of large dimensioned panels.



angular cutting device with flip-over stops
To rapidly perform mitre cuts without moving the squaring fence.
Recommended for mitre cuts on small work pieces.



overhead blade protection
For totally safe machining.



digital readout
for the fence
position on the
parallel fence
It allows precise
positioning with the
magnetic strip sensor.



professional
fences unit
For the saw and surfacing
planer. Designed to be
easy to remove and to
allow a rapid changeover
from one type of
operation to another.



cast iron mortiser
Drilling holes and mortises are easily carried out. Complete with exhaust hood, 120 mm diameter and 16 mm chuck.

"Xylent" spiralknife cutter block with 3 series of knives

The 3 spiralknives give an exceptional finish. Reduced noise during machining provides a more comfortable working environment. It also improves the dust extraction due to the production of very small chips. Each cutter has 4 tips which can be rotated into the cutting position when worn. Therefore increasing the production life of the cutter block before knives require replacement.



self-centering chuck
0-16 mm "Wescott" type
The mortiser spindles can be rapidly substituted without the necessity of adjustment.



maintenance case for "Xylent" spiralknife

Complete with:

- 1 cleaning/degreasing liquid bottle for the resins cleaning
- 1 set dynamometric key
- 2 bit Torx
- 10 inserts
- 5 screws
- 1 brass bristle brush to clean the spindle with mounted in inserts
- 1 steel bristle brush to clean the inserts housings



dado set
Mechanical presetting to use a tool (not included) in place of the main blade.

"Tersa" cutter block

Automatic knives clamping by means of the centrifugal force ensures safe and precise machining. The system, without fixing screws, makes knives substitution extremely fast.





three movement adjustable spindle moulder fence

The spindle moulder fence can be easily removed and re-positioned without losing the working position, thanks to the memory system. The fence, besides, uses an adjustment system through rack and it has a mechanical readout. The maximum tool capacity during profiling is of 210 mm diameter.



A



B

interchangeable spindle (A)

For a very quick spindle substitution. Among the spare spindle, it is available also the spindle for router bits. (B)

tenoning table and protection hood

For the tenoning operations on the spindle moulder. It consists of:

- table
- protection hood for tools, 275 mm diameter
- exhaust hood, 120 mm diameter



gravitational handwheel

Handwheel with gravitational numerical readout for the thickening table positioning.



electric pre-setting and flip over support for feeder

This solution allows a total exclusion of the device and prevents interference with other parts of the machine.



wheels for machine movement

classic principali dispositivi opzionali

S Standard
O Option

	cu 410c	cu 300c	st 3c	fs 41c	fs 30c	sc 3c	sc 2c	tw 45c	t 45c
Angular cutting device with flip-over stops	O	O	O	-	-	O	O	-	-
Digital readout for the fence position on the parallel fence	-	-	O	-	-	O	O	-	-
Additional table on the sliding carriage	O	O	O	-	-	O	O	-	-
Overhead blade protection	-	-	O	-	-	O	O	-	-
Professional guides unit	O	O	-	-	-	-	-	-	-
"Tersa" cutter block	O	O	-	O	O	-	-	-	-
"Xylent" spiralknife cutter block with 3 series of knives	O	O	-	O	O	-	-	-	-
Maintenance case for "Xylent" spiralknife	O	O	-	O	O	-	-	-	-
Cast iron mortiser	O	O	-	O	O	-	-	-	-
Self-centering chuck 0-16 mm "Wescott" type	O	O	-	O	O	-	-	-	-
Three movement adjustable spindle moulder fence	-	-	-	-	-	-	-	O	O
Tenoning table and protection hood	O	O	O	-	-	-	-	O	-
Electric pre-setting and flip over support for feeder	O	O	O	-	-	-	-	O	-
Interchangeable spindle	O	O	O	-	-	-	-	O	O
Wheels for machine movement	O	O	O	O	O	-	-	-	-
Dado set	O	O	-	-	-	O	-	-	-
Gravitational handwheel	O	O	-	O	O	-	-	-	-



lab 300 plus

Once upon a time there was the combined machine
now there is the lab 300 plus!

PRECISION, RELIABILITY
AND SAFETY

universal combined machine **76**

universal combined machine lab 300p

		lab 300p
Planer useful working width	mm	300
Total length of surfacing tables	mm	1300
Max. saw blade diameter with scoring blade installed	mm	315
Squaring stroke	mm	1660
Max. spindle length	mm	100
Three-phase motors starting from	kW/Hz	4 (4,8) / 50 (60)

Find the complete technical specification at page 79



Saw Unit
best cutting



Spindel Moulder
superior performances



Surfacing Tables Lifting
higher efficiency

Once there was the combined machine, now Minimax has defined the most advanced technological standards in terms of precision, reliability and safety.

lab300p operating groups

higher efficiency

Surfacing Tables Lifting.

During the changeover from surfacing to thickening the **surfacing tables open towards the inside of the machine with a 90° angle**, facilitating thickening. Work pieces with a maximum height of 220 mm can be machined to the thickener. The **new design of the dust-conveyor**, protecting the cutter block, is specifically intended to **further increase system safety and efficiency.**



superior performances

Spindle Moulder.

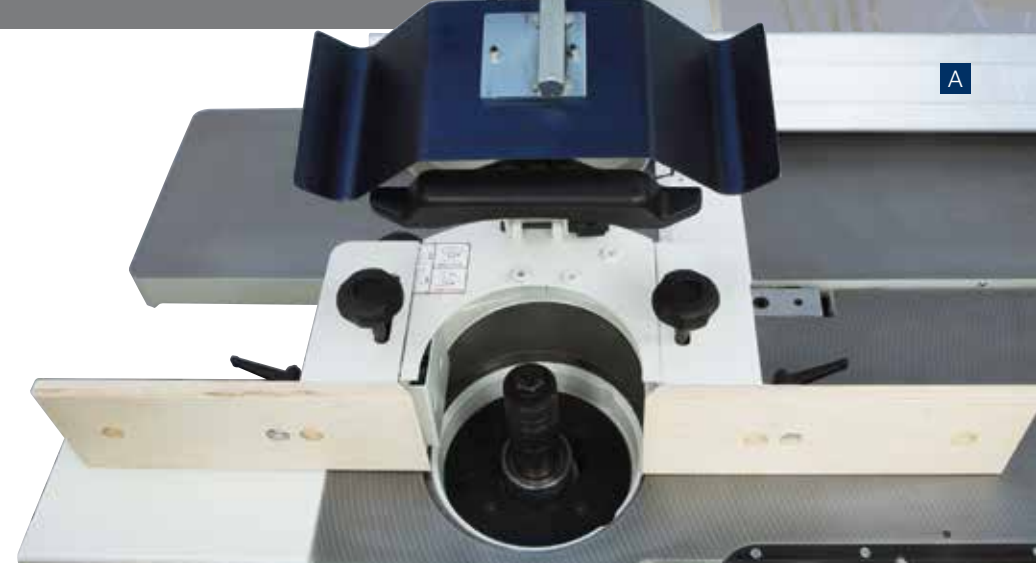
The unit (A) has a spindle with a useful working length of 100 mm. A tool with a maximum diameter of 180 mm can be retracted under the worktable. For machine maximum safety and increased flexibility, a **spindle moulder protective hood for shaping (B)** is supplied as standard.



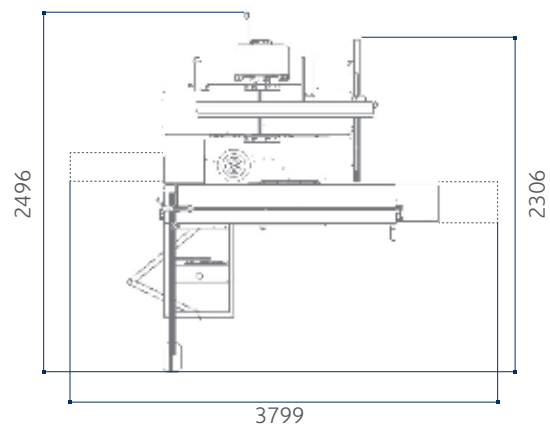
best cutting
Saw Unit.

New saw unit with a **blade that has a maximum diameter of 315 mm with the scoring blade installed.** The new scoring unit can be supplied on request and **can easily be adjusted from outside the machine.**

Easier, more precise cutting is possible thanks to perfectly stable support guaranteed, even for large work pieces, by the **270 mm wide sliding table.**



lab 300p dimensions and technical data



S Standard
O Option

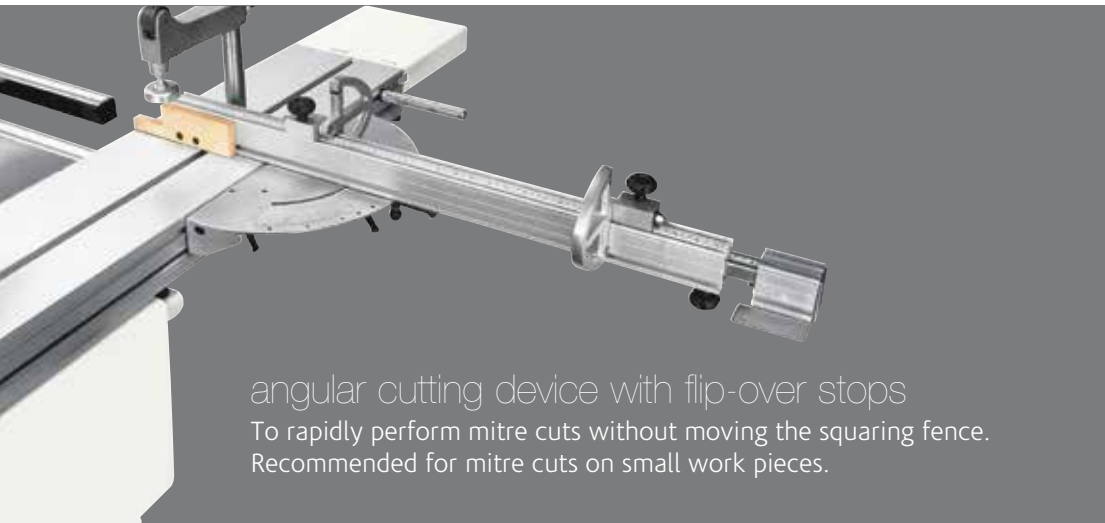
	lab 300p	
planer		
Working width	mm	300
Cutter block diameter (mm)/no. of standard knives	mm/n.	72 / 3
Dimensions of standard knives	mm	300 x 30 x 3
Max. stock removal	mm	3
Surfacing tables total length	mm	1300
Thickening table dimensions	mm	300 x 450
Feed speed on thickener	m/min	7
Min. ÷ max. working height on thickener	mm	3 ÷ 220
circular saw		
Cast iron saw-spindle moulder worktable dimensions	mm	1020 x 325
Saw blade tilting		90° ÷ 45°
Max. saw blade diameter with scoring blade installed	mm	315
Max. saw blade projection from table at 90°/45°	mm	100 / 79
Squaring stroke	mm	1660
Cutting width on parallel fence	mm	800
spindle moulder		
Max. useful spindle length	mm	100
Spindle moulder speeds (at 50 Hz)	rpm	3500 / 7000 / 10.000
Max. tool diameter when profiling	mm	210
Max. diameter of tool lowered under the table at 90°	mm	180
Max. tool diameter when tenoning	mm	275
other technical features		
Three-phase motors 4 kW (5,5 hp) 50 Hz - 4,8 kW (6,5 hp) 60 Hz		S
Single-phase motors 2,2 kW (3 hp) 50 Hz		O
Single-phase motors S1 3,6 kW (4,8 hp) 60 Hz		O
Exhaust outlets diameter	mm	120

lab 300p main optional devices

tenoning table and
protection hood

For the tenoning operations on the
spindle moulder. It consists of:

- table
- protection hood for tools,
275 mm diameter
- exhaust hood, 120 mm diameter



angular cutting device with flip-over stops
To rapidly perform mitre cuts without moving the squaring fence.
Recommended for mitre cuts on small work pieces.



electric pre-setting and flip
over support for feeder
This solution allows a total
exclusion of the device and prevents
interference with other parts
of the machine.



additional table on the sliding carriage
For the support of large dimensioned panels.



professional
fences unit
For the saw and surfacing
planer. Designed to be
easy to remove and to
allow a rapid changeover
from one type of
operation to another.

"Tersa" cutter block

Automatic knives clamping by means of the centrifugal force ensures safe and precise machining. The system, without fixing screws, makes knives substitution extremely fast.



cast iron mortiser

Drilling holes and mortises are easily carried out. Complete with exhaust hood, 120 mm diameter and 16 mm chuck.



"Xylent" spiralknife cutter block with 3 series of knives

The 3 spiralknives give an exceptional finish. Reduced noise during machining provides a more comfortable working environment. It also improves the dust extraction due to the production of very small chips. Each cutter has 4 tips which can be rotated into the cutting position when worn. Therefore increasing the production life of the cutter block before knives require replacement.

self-centering chuck 0-16 mm "Wescott" type

The mortiser spindles can be rapidly substituted without the necessity of adjustment.



wheels for machine movement



maintenance case for "Xylent" spiralknife

Complete with:

- 1 cleaning/degreasing liquid bottle for the resins cleaning
- 1 set dynamometric key
- 2 bit Torx
- 10 inserts
- 5 screws
- 1 brass bristle brush to clean the spindle with mounted in inserts
- 1 steel bristle brush to clean the inserts housings

gravitational handwheel

Handwheel with gravitational numerical readout for the thickening table positioning.







genius

all the minimax quality
at the more accessible price

PRACTICAL AND COMPACT

universal combined machines **84**

IDEAL FOR DEMANDING
HOBBYIST AND CRAFTSMEN

combined machines and circular saw **86**

genius
universal
combined machines
c 30g
c 26g



		c 30g	c 26g
Planer useful working width	mm	300	260
Total length of surfacing tables	mm	1200	1040
Max. saw blade diameter	mm	250	250
Squaring stroke	mm	1200	1200
Max. spindle length	mm	75	75
Three-phase motors starting from	kW/Hz	1,8 (2,2) / 50 (60)	1,8 (2,2) / 50 (60)

Find the complete technical specification at page 90



Saw Unit
cutting precision



Surfacing Planer
fully equipped



Thickening Planer
practical and ergonomic



Spindle Moulder
flexibility



Shaping Fence
safety first



Mortiser
functional

The practical and compact woodworking machines with all the Minimax quality at the more accessible price, ideal for demanding DIY woodworkers and craftsmen.

genius
combined machines
circular saw
fs 30g
st 1g
sc 1g

surfacing-thicknessing planer
saw-spindle moulder
circular saw



		fs 30g	st 1g	sc 1g
Planer useful working width	mm	300	-	-
Total length of surfacing tables	mm	1200	-	-
Max. saw blade diameter	mm	-	250	250
Squaring stroke	mm	-	1200	1200
Max. spindle length	mm	-	75	-
Three-phase motors starting from	kW/Hz	1,8 (2,2) / 50 (60)	1,8 (2,2) / 50 (60)	1,8 (2,2) / 50 (60)

Find the complete technical specification at page 90



Saw Unit
cutting precision



Surfacing Planer
fully equipped



Thickening Planer
practical and ergonomic



Spindle Moulder
flexibility



Shaping Fence
safety first



Mortiser
functional

genius operating groups



cutting precision

Saw Unit.

Tilting saw unit with a 250 mm blade and a maximum blade projection from table at 90° of 80 mm. The saw unit can be raised and tilted using convenient hand-wheels. The anodized aluminum sliding table, with a 1200 mm stroke, slides **next to the blade**, thus ensuring better cutting precision.

practical and ergonomic

Thickening Planing.

To keep the machine compact and make machining easier, the surfacing table opens towards the inside of the machine. Thanks to an efficient feed system, the thickening unit can process wood up to 200 mm thick.



functional and customisable

A machine even more versatile: with the practical **mortiser** (option) drilling holes or mortises are easily done.



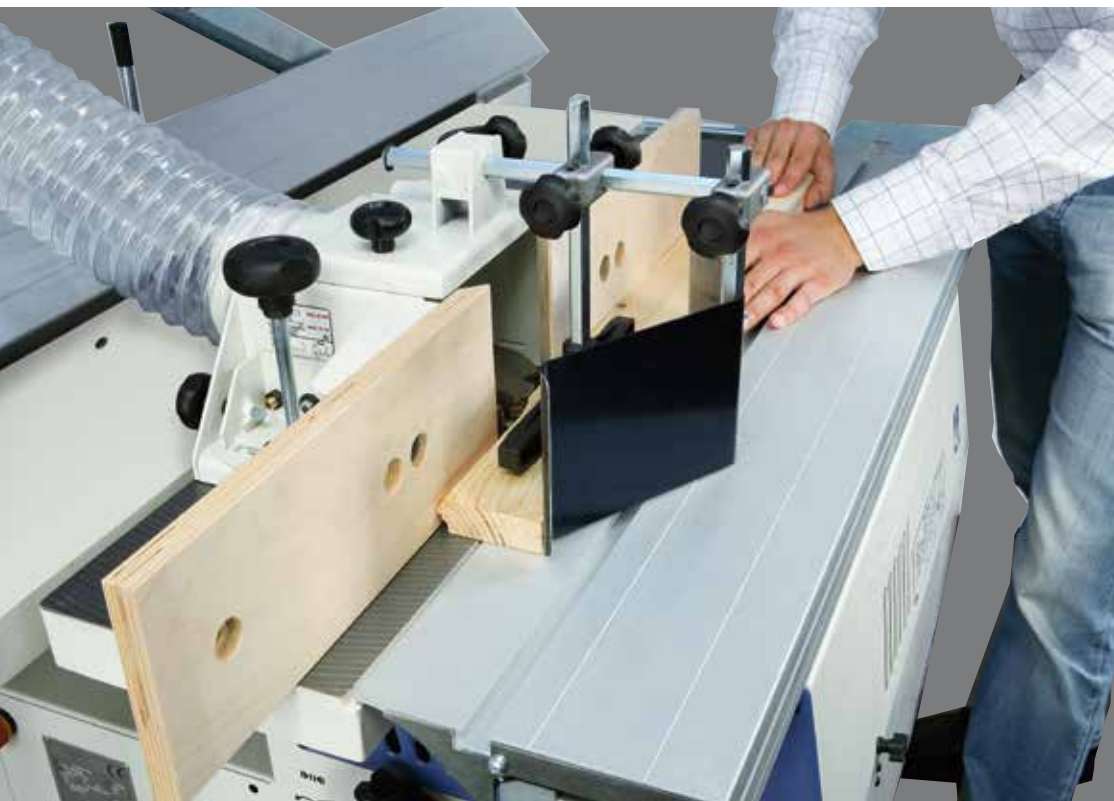


safety first
Genius machines have many **safety devices according to CE norms**, as like as the spindle moulder guard for curved profiles and moulding shapes.



fully equipped
Surfacing Planing.

The planer unit has a cutter block with 2 re-usable knives (the "Tersa" disposable knives system with 3 knives and rapid clamping is available as an option). Genius machines also have saw-planer fences with an anodized aluminum extrusion and a support with clamp for fast positioning.



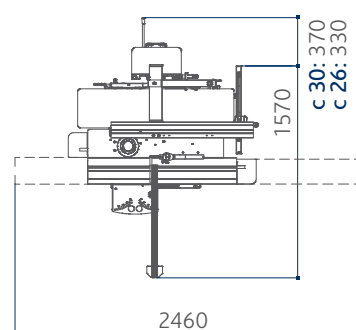
flexibility

Spindle Moulder.

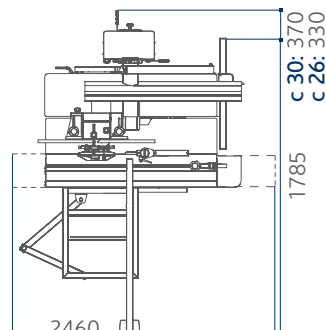
Maximum flexibility in spindle moulder tool use, with the unit with 2 speed (5000/7500 rpm). The machines have a spindle moulder fence with micrometric adjustment, a feature which is particularly useful on profiling jobs. Tenoning is easy too, thanks to the aluminum sliding table, the right speed setting and the special protection hood (option).



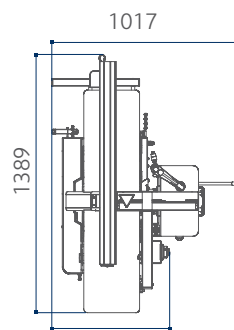
genius dimensions and technical data



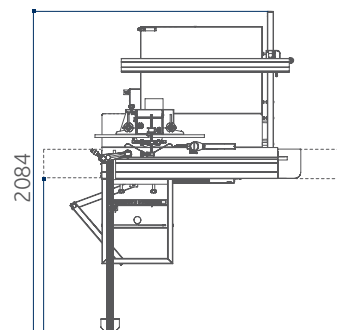
c 30g
c 26g



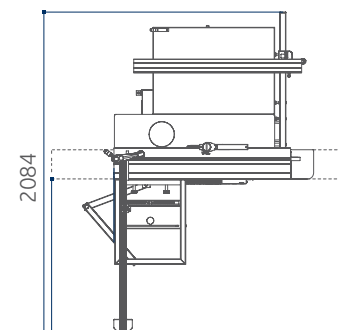
c 30g
c 26g with support frame



fs 30g



st 1g



sc 1g

S Standard
O Option

		c 30g	c 26g	fs 30g	st 1g	sc 1g
planer						
Working width	mm	300	260	300	-	-
Cutter block diameter (mm)/no. of standard knives	mm/n.	62 / 2	62 / 2	62 / 2	-	-
Dimensions of standard knives	mm	300 x 25 x 3	260 x 25 x 3	300 x 25 x 3	-	-
Max. stock removal	mm	3	3	3	-	-
Surfacing tables total length	mm	1200	1040	1200	-	-
Thickening table dimensions	mm	300 x 450	260 x 450	300 x 450	-	-
Feed speed on thickener	m/min	6	6	6	-	-
Min. ÷ max. working height on thickener	mm	3 ÷ 200	3 ÷ 200	3 ÷ 200	-	-
circular saw						
Cast iron saw-spindle moulder worktable dimensions	mm	1024 x 224	1024 x 224	-	1024 x 224	1024 x 224
Saw blade tilting		90° ÷ 45°	90° ÷ 45°	-	90° ÷ 45°	90° ÷ 45°
Max. saw blade diameter with scoring blade installed	mm	250	250	-	250	250
Max. saw blade projection from table at 90°/45°	mm	80 / 64	80 / 64	-	80 / 64	80 / 64
Squaring stroke	mm	1200	1200	-	1200	1200
Cutting width on parallel fence	mm	540	500	-	700	700
spindle moulder						
Max. useful spindle length	mm	75	75	-	75	-
Spindle moulder speeds (at 50 Hz)	rpm	5000 / 7500	5000 / 7500	-	5000 / 7500	-
Max. tool diameter when profiling	mm	160	160	-	160	-
Max. diameter of tool lowered under the table at 90°	mm	145	145	-	145	-
Max. tool diameter when tenoning	mm	200	200	-	200	-
other technical features						
Three-phase motors 1,8 kW (2,5 hp) 50 Hz – 2,2 kW (3 hp) 60 Hz		S	S	S	S	S
Three-phase motors 2,2 kW (3 hp) 50 Hz – 2,6 kW (3,6 hp) 60 Hz		O	O	O	O	O
Single-phase motors 1,8 kW (2,5 hp) 50 Hz		O	O	O	O	O
Single-phase motors S1 1,8 kW (2,5 hp) 60 Hz		O	O	O	O	O
Exhaust outlets diameter	mm	120	120	120	120	120



genius main optional devices

self-centering chuck
0-16 mm "Wescott" type
The mortiser spindles can be rapidly substituted without the necessity of adjustment.



wheels for
machine
movement



"Tersa" cutter block
Automatic knives clamping by means of the centrifugal force ensures safe and precise machining. The system, without fixing screws, makes knives substitution extremely fast.



tenoning table and
protection hood
For the tenoning operations on the spindle moulder. It consists of:
- table
- protection hood for tools, 200 mm diameter
- exhaust hood, 120 mm diameter



maintenance case for
"Xylent" spiralknife

Complete with:

- 1 cleaning/degreasing liquid bottle for the resins cleaning
- 1 set dynamometric key
- 2 bit Torx
- 10 inserts
- 5 screws
- 1 brass bristle brush to clean the spindle with mounted in inserts
- 1 steel bristle brush to clean the inserts housings



"Xylent" spiralknife cutter block with 3 series of knives

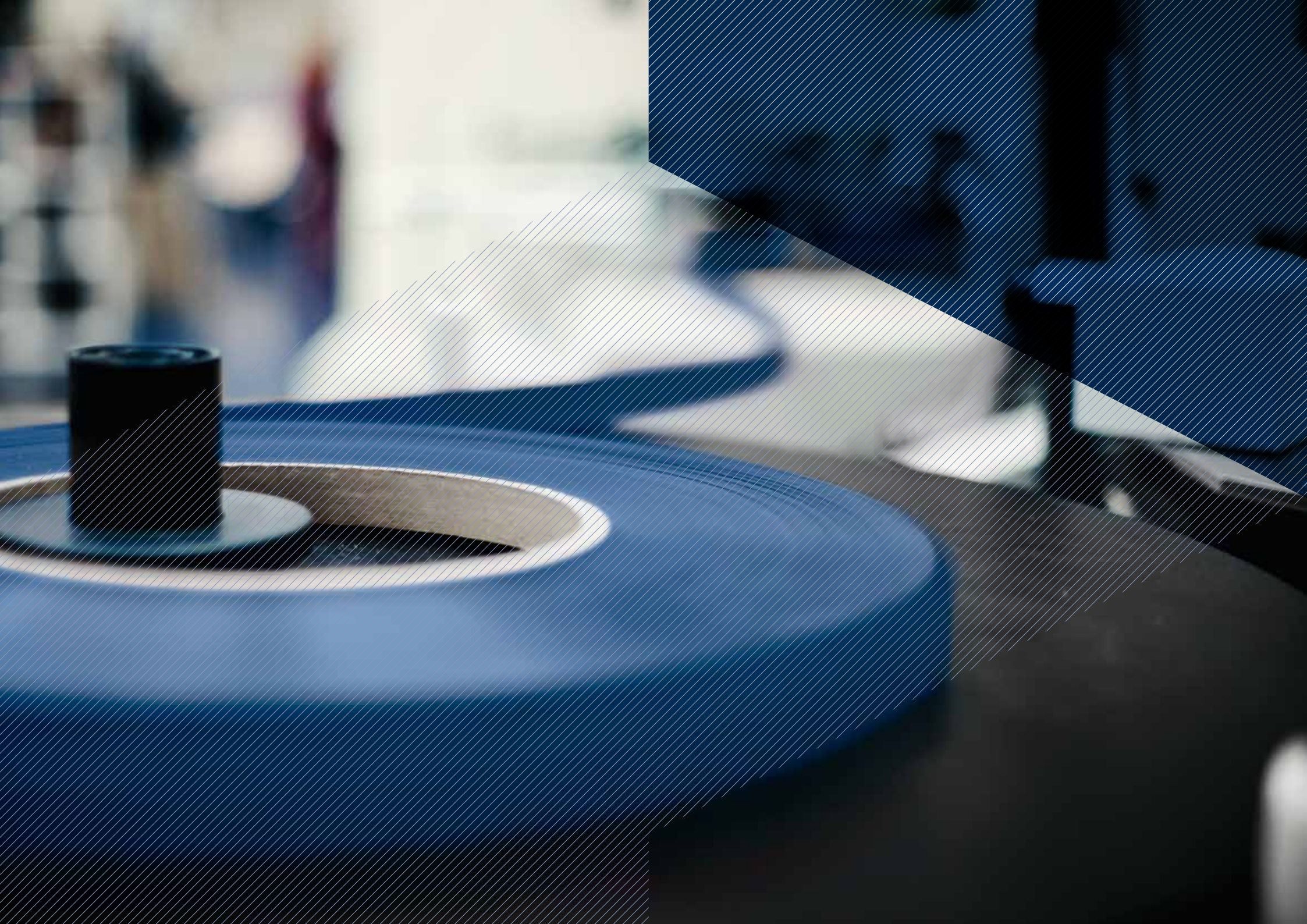
The 3 spiralknives give an exceptional finish. Reduced noise during machining provides a more comfortable working environment. It also improves the dust extraction due to the production of very small chips. Each cutter has 4 tips which can be rotated into the cutting position when worn. Therefore increasing the production life of the cutter block before knives require replacement.



genius main optional devices

S Standard
O Option

	c 30g	c 26g	fs 30g	st 1g	sc 1g
"Tersa" cutter block	O	O	O	-	-
"Xylent" spiralknife cutter block with 3 series of knife	O	O	O	-	-
Maintenance case for "Xylent" spiralknife	O	O	O	-	-
Self-centering chuck 0-16 mm "Wescott" type	O	O	O	-	-
Tenoning table and protection hood	O	O	-	O	-
Wheels for machine movement	O	O	-	-	-





edge banders

Flexibility in Edge Banding

automatic edge banders **96** manual edge bander and trimming machine **106**

automatic
edge banders
me 40
me 35



		me 40	me 35
Thickness of rolled edges	mm	0,4 ÷ 3	0,4 ÷ 3
Max. thickness of edges in strips	mm	5	5
Min. ÷ max. panel height	mm	8 ÷ 50	8 ÷ 50
Min. panels length/width with rolled edges	mm	190 / 110	190 / 110
Feed speed	m/min	9	7

Find the complete technical specification at page 104



Pre-milling unit
perfect joint line



**Interchangeable
Glue Pot**
also for PU gluing



High Frequency
reliability and precision



"Radius" End Cutter
brilliant idea



Control Panel
ease-of-use

Ease-of-use automatic edge banders, also with edging solid wood strips up to 5 mm thickness, offers the "very best" performance in edge banders at this level. The features, make them the perfect edge bander for small woodworking furniture and panel processing companies.

automatic
edge banders
me 28t
me 25
me 22
me 20



		me 28t	me 25	me 22	me 20
Thickness of rolled edges	mm	0,4 ÷ 3	0,4 ÷ 3	0,4 ÷ 2	0,4 ÷ 2
Max. thickness of edges in strips	mm	5	5	2	2
Min. ÷ max. panel height	mm	12 ÷ 50	12 ÷ 50	12 ÷ 50	12 ÷ 50
Min. panels length/width with rolled edges	mm	290 / 110	190 / 65	190 / 65	180 / 65
Feed speed	m/min	7	7	7	6

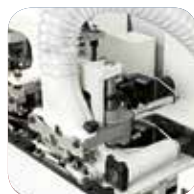
Find the complete technical specification at page 104



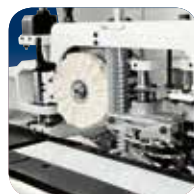
Gluing Unit
efficiency



End Cutting Unit
practical and
precise



Trimming Unit
excellent finishing



Finishing Units
superior quality



Control Panel
ease-of-use

Automatic edge bander with glue pot to edge band, with great flexibility, with melamine edges, PVC and ABS up to 3 mm and wooden strips up to 5 mm.

edge banders operating groups



me28t



me 40t/me35t



designed
for a perfect finish

Panel Conveying Track me 40.

High productivity with 9 m/min track feed speed. The encoder for feeding panel control ensures the total working cycle control.

me 35/ me 28t/ me 25.

The very best finishing of the panel edge is also guaranteed by the panel conveying track (exclusive solution), which prevents the panel having the feed affected by the typical pulses generated by the pinion of a traditional feed track and ensures a smooth and linear panel movement.



me 40

perfect edge joint line

Panel Edge Trimming Unit. me 40t/me 35t/me 28t

Panel edge surface without any imperfections before the gluing operation. Utilizes 2 tools with opposing rotation and timed intervention that, through the removal operation, corrects any panel imperfections caused by the saw cutting process and panel storage. The independent exhaust system and the air blowing device removes dust and chips from the panel.

- Widia cutters available as standard feature (me 40t/me 35t/me 28t)



deal edge application

Gluing Unit.

The glue is heated rapidly and evenly by the resistances. The **automatic lowering of the glue temperature** after a temporary halt in production when using the machine avoids burning of the glue. A new **innovative system of self-lubrication of the glue pot**, allows a more extensive use of the edge banding machine without the necessity of lubrication. Two rollers press the edge banding evenly and efficiently on to the panel edge. The glue spreading roller with electrical resistance inside provides a uniform glue spread and always at the maximum working temperature even on panels at the maximum working height.

Glue pot rapid unlocking and PU glue pot are available as an option.

always precise when cutting

End Cutting Unit.

me 40/me 35: the unit is equipped with a blade and a high frequency motor to provide the **best finishing quality** of the machined edge. Furthermore, the absence of belts or other driving systems prevents any vibration assuring **the best results at all times.** (A)

me 28t/me 25: absolute precision offered by the unit, with a cutter and an independent asynchronous motor. (B)

me 20/me 22: the efficient cutter ensures cutting always accurate. The reference is taken directly on the panel itself; consequently it doesn't require any adjustment. (C)

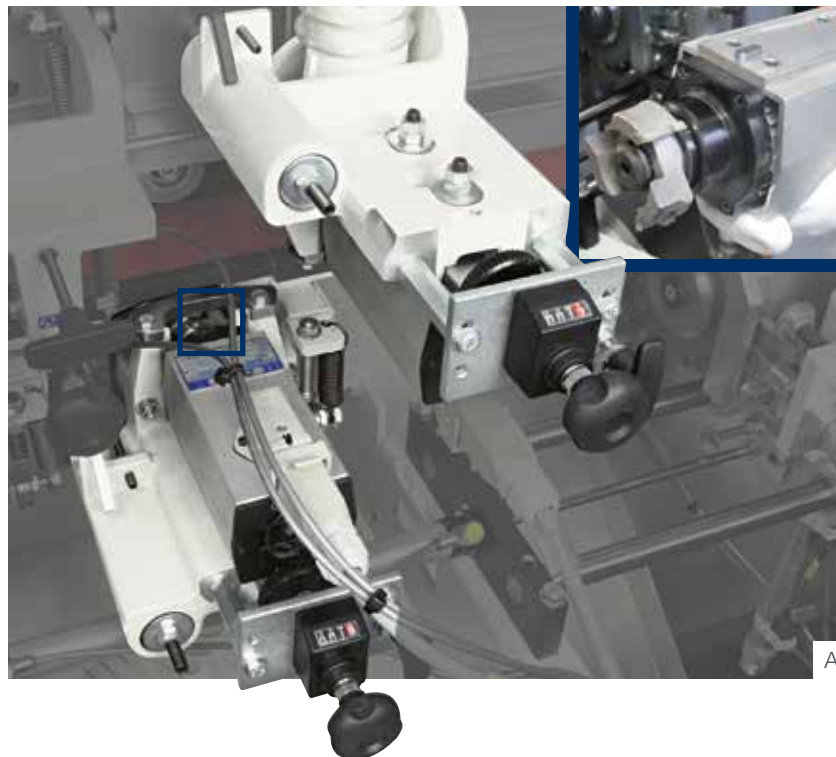


quality finishing and versatility

Trimming Unit.

me 40/me 35: very high edge quality finishing with **the rotating copiers.** **The high frequency motors** generate high cutter rotating speed, reducing to a minimum any marks left from trimming and guaranteeing the absence of vibrations. (A)

me 28t/me 25 ed me 22/me 20: the unit functions with slide copying to align perfectly to the work piece. (B) The cutters are designed for straight or radius trimming of any type of edge, whether it is thick or thin, made of PVC, ABS, melamine, laminate or wood. The edge thickness is easily set by means of two numerical readouts.



edge banders optional operating groups

ease-of-use

Automatic Loading for Edges in Strips.

me 40/me 35/me 28t/me 25

The solid wood strips are automatically loaded and synchronized with the introduction of the panels into the machine.



optimal finishing

Brushing Unit.

me 40/me 35/me 28t/me 25

With tilted, vertically adjustable motors to optimize the cleaning/polishing action on the panel edge.

perfect edge cleaning

Glue Scraping unit.

me 40/me 35/me 28t/me 25/me 22

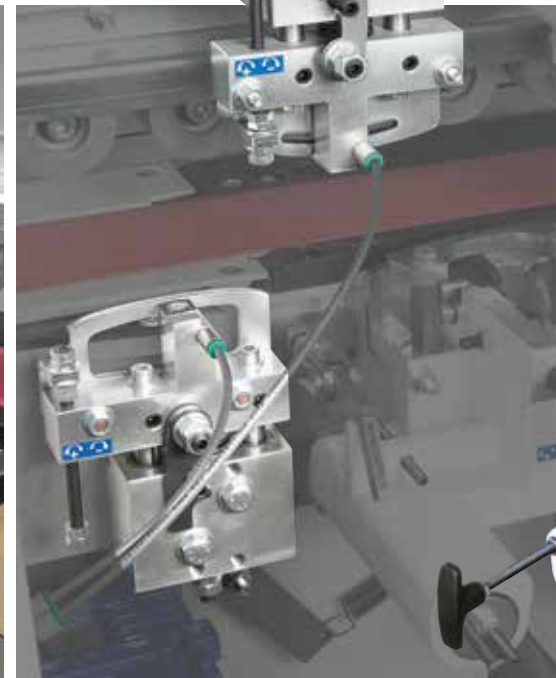
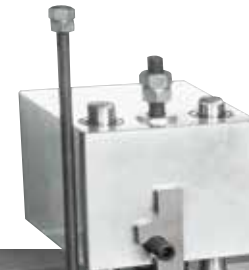
It eliminates any excess glue on the panel/edge joint.

perfect radius on
pvc/abs edges

Edge Scraping Unit.

me 40/me 35/me 28t/me 25/me 22

High finishing quality of plastic material edges thanks to the radius knives that ensure the complete elimination of any marks left from the trimming unit tools, all equipped with a **front and vertical disc copiers (me 35)**, and a user-friendly device for exclusion of the unit when it is not in use.





brilliant idea

End-Cutting Unit with "Radius". me 40/me 35

The optional unit allows you to make a radius on the corners of the edged panel without the need for the operator to have to finish by hand at a later stage: brilliant idea to a finished product of high quality.

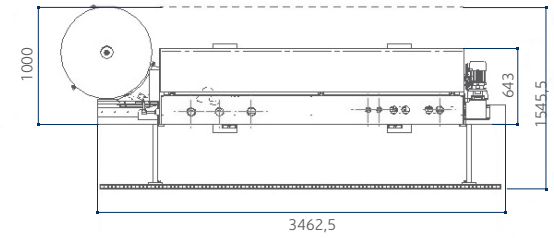


innovation at everybody's reach

Grooving Unit. me 40/me 35

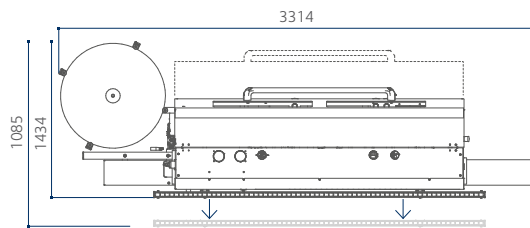
The optional unit is able to perform a slot on the panel directly on the edging process, **without having to sacrifice the finishing and cleaning units.**

edge banders
overall
dimensions
and technical
data

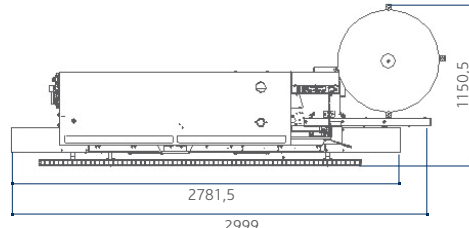


me 40

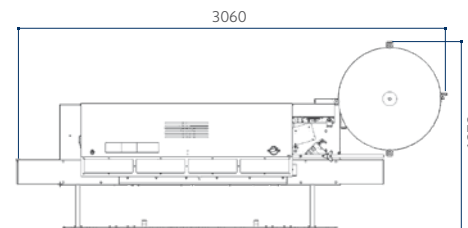




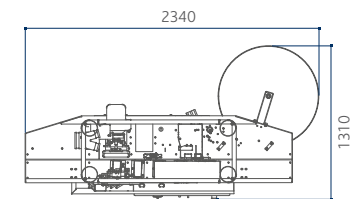
me 35



me28t



me25
me22



me 20

		me 40	me 35	me 28t	me 25	me 22	me 20
Worktable dimensions	mm	3465 x 710	3000 x 525	2800 x 570	2600 x 530	2600 x 530	1950 x 180
Worktable height	mm	875	904	904	904	904	904
Roll-feed edge thickness	mm	0,4 ÷ 3	0,4 ÷ 3	0,4 ÷ 3	0,4 ÷ 3	0,4 ÷ 2	0,4 ÷ 2
Max. thickness of edges in strips	mm	5	5	fino a 5	5	2	2
Min. ÷ max. panel height	mm	8 ÷ 50	8 ÷ 50	12 ÷ 50	12 ÷ 50	12 ÷ 50	12 ÷ 50
Min. panels length/width with roll-feed edge	mm	190 / 110	190 / 110	190 / 110	190 / 65	190 / 65	180 / 65
Min. panel length cut only on the front	mm	120	120	120	120	120	120
Feed speed	m/min	9	7	7	7	7	6
Feeder motor power (S1)	kW	0,55	0,55	0,55	0,55	0,55	0,25
Pneumatic operating pressure	bar	6,5	6,5	6,5	6,5	6,5	6,5
Working temperature	°C	20 ÷ 190	20 ÷ 190	20 ÷ 190	20 ÷ 190	20 ÷ 190	20 ÷ 190
pre-milling unit (me 40t/me 35t/me 28t)							
Motor power (S1)	kW	2,2	2,2	2,2	-	-	-
Cutters rotating speed	rpm	9.000	7.000	9.000	-	-	-
N. 2 diamond cutters (opt)		N.2 Ø 80 mm H=56 Z2	N.2 Ø 80 mm H=56 Z2	N.1 Ø 80 mm H=56 Z2	-	-	-
Stock removals	mm	0,5 / 1 / 1,5 / 2	0,5 / 1 / 1,5 / 2	0,5 / 1 / 1,5 / 2	-	-	-
glue pot unit							
Motor power (S1)	kW	0,18	0,18	0,18	0,18	0,18	0,18
Glue capacity	kg	~ 0,8	~ 0,8	~ 0,8	~ 0,8	~ 0,8	~ 0,8
end-cutting unit							
Motor power (*high frequency motor)	kW	0,19*	0,19*	0,37	0,37	-	-
End-cutting blade		Ø 125 mm Z20	Ø 125 mm Z20	Ø 90 mm Z20	Ø 90 mm Z20	coltello	coltello
Blade rotating speed	rpm	12.000	12.000	12.000	12.000	-	-
trimming unit							
Upper/lower motor power (*high frequency motor)	kW	2 x 0,35*	2 x 0,35*	0,75	0,75	0,55	0,55
Widia cutters		Ø 55,3 mm Z3	Ø 55,3 mm Z3	Ø 75 mm Z4	Ø 75 mm Z4	Ø 75 mm Z4	Ø 75 mm Z4
Cutters rotating speed	rpm	12.000	12.000	9.000	12.000	12.000	12.000
additional technical features							
Exhaust outlet pre-milling unit (me 40t/me 35t/me 28t), number/diameter	n./mm	60	2 / 80	80	-	-	-
Exhaust outlet glue pot unit diameter	mm	80	60	60	60	60	60
Exhaust outlet trimming unit number/diameter	n./mm	60	2 / 60	-	-	-	-
Exhaust outlet on base structure diameter	mm	-	-	120	120	120	120

manual
edge bander
for straight
and shaped
panels
e 10

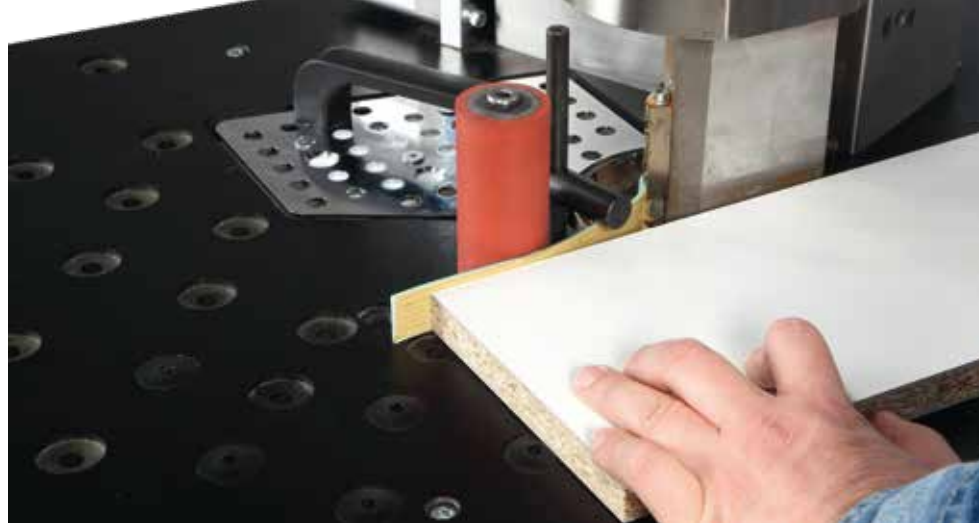
Simply Essential and Functional.



Designed to be an economic, reliable and practical machine for the edge banding of straight and shaped panels.

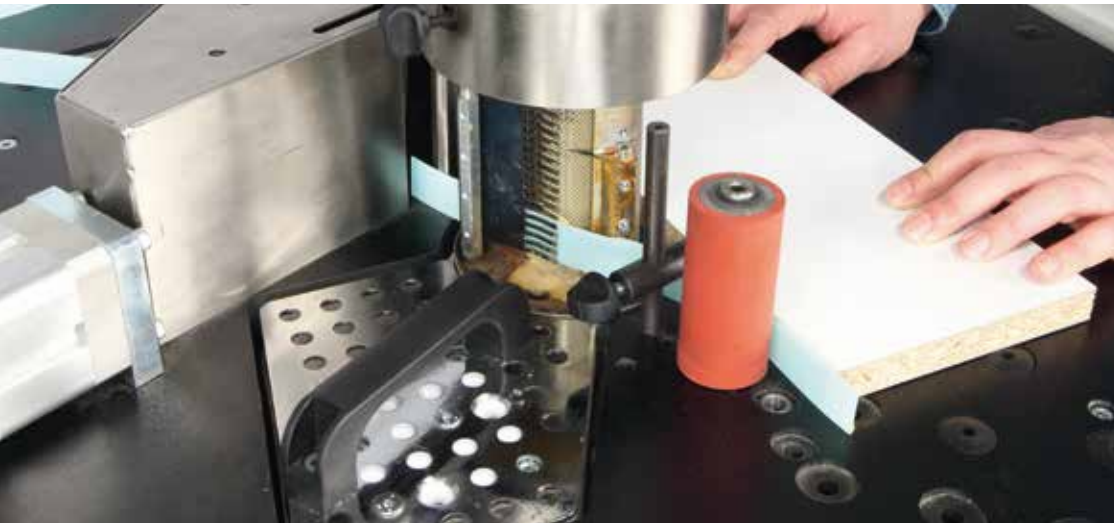
		e 10
Minimum and maximum edge thickness	mm	0,4 - 3,0
Minimum and maximum edge height	mm	10 - 84
Rolled edges height with shear device, thickness 0,4-1,5 mm/ 0,4-2,5 mm/ 0,4-3 mm	mm	80/40/45
Minimum panel width/length	mm	50/210
Minimum internal radius (concave) thickness 0,4 mm	mm	25
Minimum external radius (convex) thickness 0,4 mm	mm	5
2 feed speeds	m/min	4 - 8
Installed motor power	kW	3,5
Coil holder plate diameter	mm	520
Work table height	mm	850
Machine length/width (weight)	mm (kg)	1000/740 (250)

e 10 operating groups



no surface damage
to the work piece during
machining

Easy machining with the special **anti-scratch phenolic multilayer work table** with modular holes complete with panel supports.



gluing the most critical edges
without compromise

The teflon-coated glue pot, positioned under the work table, with continuous glue circulation avoids burning of the glue. It is possible to adjust the quantity of the glue to be applied on the edge.

performance just like a
"bigger" edge bander

- Rapid glue heating system to be operating in the shortest possible time
- Stand-by timed function for the best conservation of glue
- Two feed speeds for higher productivity and finishing quality



manual
trimming machine
for straight
and shaped
panels
t 20

*Simply
Intelligent
and Versatile.*



Designed with exclusive solutions, this trimming machine has a set up facility without comparison.

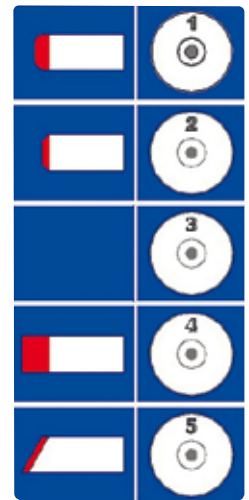
		t 20
Maximum edge thickness	mm	4
Minimum/maximum panel thickness	mm	14 - 80
Minimum panels width/length	mm	160/200
Minimum internal radius, 0,4 mm thickness	mm	25
Installed motor power	kW	1,5
Minimum external radius (convex) thickness 0,4 mm	mm	5
Exhaust hoods	mm	2x80
Work table height	mm	850
Machine length/width (weight)	mm (kg)	1000/800 (200)

t 20
operating
groups



no adjustments,
only copying device
substitution

Rapid and precise set up during
machine changeover with the
interchangeable horizontal
copying device coupled with
the multifunction tools
(SCM exclusive system).



exact configuration for every type of machining

The two different interchangeable vertical copying devices, supplied as a standard feature,
facilitate the working on straight and shaped panels assuring the **very best results**.

maximum performance as standard
The diamond multifunction tools, supplied as standard,
provide a high quality finish and easy set-up as well
as a very long working life.



the best quality finish with
every type of material
due to the use of high frequency motors
equipped with an inverter for the
adjustment of the cutting speed.

no limit even
with tilted edges

The possibility to horizontally adjust the position
of the upper trimmer allows the machining of
tilted panels and to carry out a different edge
profile on the upper and lower edges.

- An example: edge with an R2 radius on the
upper edge and a straight edge
on the lower one.



drilling machine
ad 21



*For all
Drilling
Requirements.*

		ad 21
Max. panel width under the bridge	mm	833
Worktable dimensions	mm	905 x 372
Worktable height	mm	900
Max. tool diameter	mm	40
Min.-max. panel height	mm	10 ÷ 85
Spindles speed rotation	rpm	2800

Find the complete technical specification at page 113



Drilling Head
perfect drilling operation



Cleaning System
very high efficiency



Group for Hinges
high-tech devices

Single-head multi-boring machine with 21 spindles.
Ideal solution for woodworking shops and
demanding craftsmen.

ad 21 operating groups



A perfect vertical, horizontal and at 45° drilling operation.



perfect drilling

Drilling Head.

Drilling head made from single-piece aluminium casting, to guarantee absence of vibrations. The boring unit runs on two rectified cylindrical guides which guarantee stability and precision. The machine is equipped with a mechanical revolver with 5 different boring depth adjustments. The **new dust extraction system is incredibly efficient**, and leaves the machine surprisingly clean!

The mechanical gauge guarantees fast and precise positioning of the lateral fences.

Bits replaced quickly and easily!
The machine has 21 quick-change chucks.



All controls are ergonomically positioned on the front of the machine. This includes the switch which sets the boring head at a 45° angle, allowing for an immediate changeover between operations. For perfect boring of large panels, the machine has a long 3000 mm fence with a scale and retractable stops. The fence is quickly mounted and removed easily.



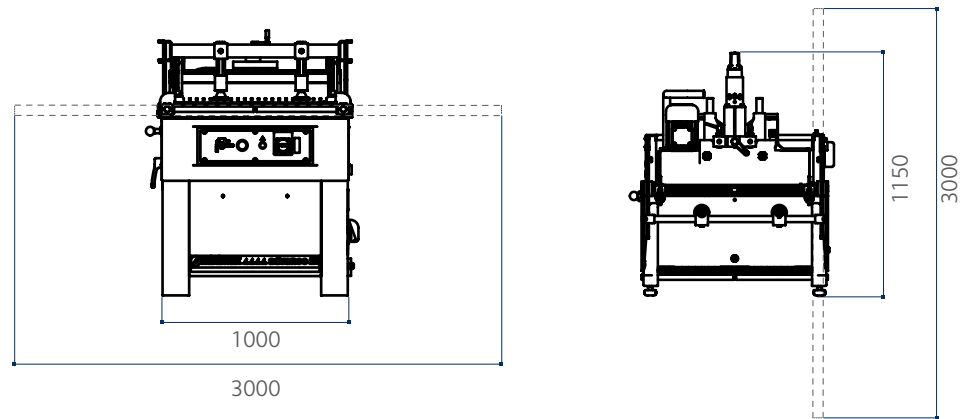
high-tech devices

Groups for Hinges.

For increased versatility, the quick-change chucks can be fitted with various types of bits for different operations, like boring hinges locations.



ad 21 dimensions and technical data



		ad 21
Worktable dimensions	mm	905 x 372
Worktable height	mm	900
Spindles number		21
Spindles centre-to-centre	mm	32
Maximum tool diameter	mm	40
Maximum drilling centre-to-centre	mm	640
Max. height of horizontal boring operation	mm	60
Spindle speed	rpm	2800
Min./max. panel thickness	mm	10/85
Max. panel width under the bridge	mm	833
Max. boring head stroke	mm	70
Boring head motor power	kW	1,8
Pneumatic system operating pressure	bar	6
Air consumption	NI/cycle	3,5
Exhaust outlets diameter	mm	80

woodturning lathe
t 124



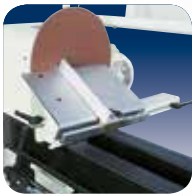
Total Safety Machining.

Distance between centers	mm	t 124 1150
Centers height	mm	200
4 spindle speeds (at 50 Hz)	rpm	570 / 1000 / 1850 / 2500
Three-phase motor	kW/Hz	1,5 (1,8) / 50 (60)

Find the complete technical specification at page 117



Structure
precision and safety



Optional Devices
versatile and complete

Woodturning lathe, for demanding DIY woodworkers and craftsmen, fast, cost-effective, easy-to-use, reliable.

woodturning lathe operating groups and optional devices

versatile and complete

Optional Devices.

Full range of devices to realize your creativeness.

precision and safety

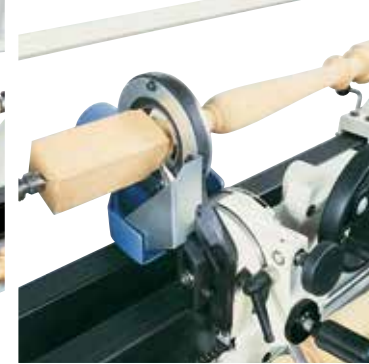
Structure.

Maximum reliability and top precision, with its strong base, and total safety for the operator, thanks to the transparent guard.



Copier.

Enables copying work at diameters greater or smaller than the template or pattern, feed by hand-wheel.



Mobile Steady Rest, with pre-cutting tool to guarantee perfect finishing.



Fixed Steady Rest, Reduces vibrations when turning long, thin components. The 'C' shape enables turning with hand tools.



Face Plate 300 mm diameter, ideal for large bowls.



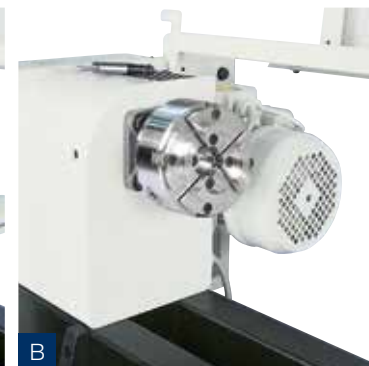
Cup or Screw Type Drive Benders: 40 mm diameter cup centre and 70 mm screw centre made from a single-piece of stainless steel. Necessary for turning small cups and bowls.



A) Sanding Unit, complete with adjustable angle work surface, guide and sanding disc.



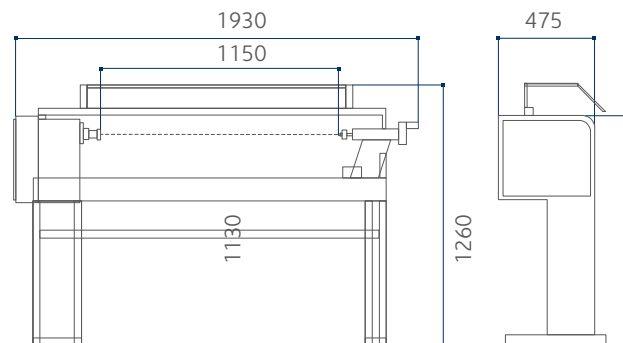
A



B

B) Four-jaw Chuck 125 mm diameter, for the rapid clamping of squared or circular components.

woodturning lathe dimensions and technical data



S Standard
O Option

		t 124
Distance between centres	mm	1150
Centres height	mm	200
4 chuck speed (at 50 Hz)	rpm	570 / 1000 / 1850 / 2500
Tape drive with morse taper	n.	2
Ball bearing centre with morse taper	n.	2
Face plate diameter	mm	130
Machine equipped with copying device (optional)...		
Max. working length	mm	1120
Max. diameter	mm	200
...and equipped with mobile rest (option):		
Max. working length	mm	1070
Max. diameter	mm	80
Three-phase motor 1,5kW (2hp) 50 Hz - 1,8 kW (2,5 hp) 60 Hz		S
Single-phase motor 1,5kW (2hp) 50 Hz		O

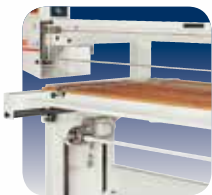
double
gooseneck narrow
belt sander
Is



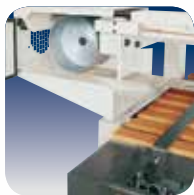
*Simple
and Reliable
over time.*

		Is
Worktable dimensions	mm	2500 x 1100 / 3000 x 1100
Sanding belt width	mm	150
Belt speed	m/sec	18
Worktable vertical stroke	mm	580
Gooseneck depth	mm	820
Three-phase motor (S1) starting from	kW/Hz	3 (3,6) / 50 (60)

Find the complete technical specification at page 121



Structure
zero vibrations



Pulleys
speed under control



Belt Tensioning Device
practical to use

Belt sanding machines for edges and surfaces, extremely simple and reliable over time, for demanding DIY woodworkers and woodworking shops.

sander operating groups

zero vibrations

Structure.

Excellent stability and high precision machining without vibrations, for a top-level finished product, with the heavy duty structures and the perfect sliding of the sliding table. All the controls are easy to use and located within easy reach of the operator.



speed under control

Pulleys.

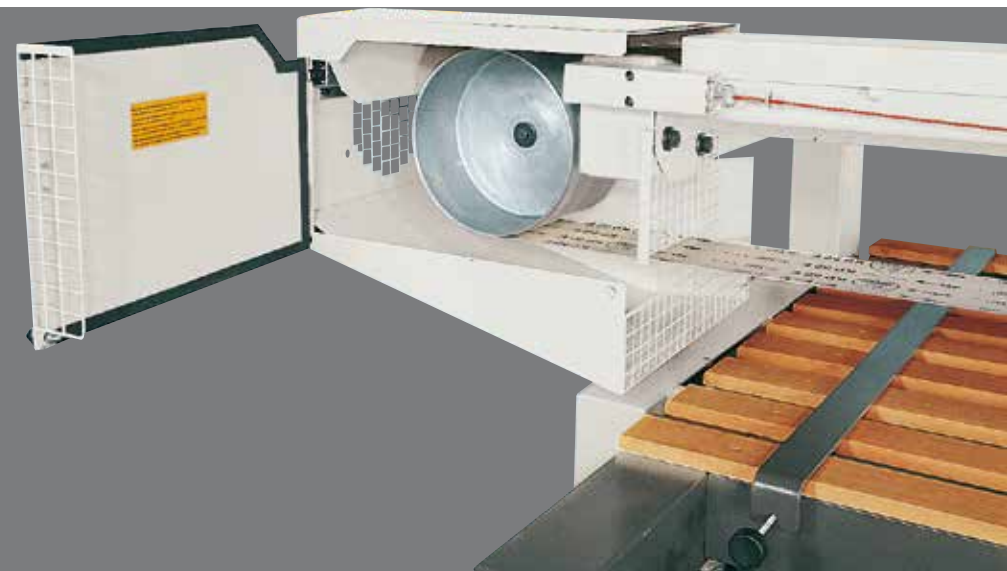
250 mm diameter pulleys give high belt speeds for non-clogging sanding even with resinous woods.



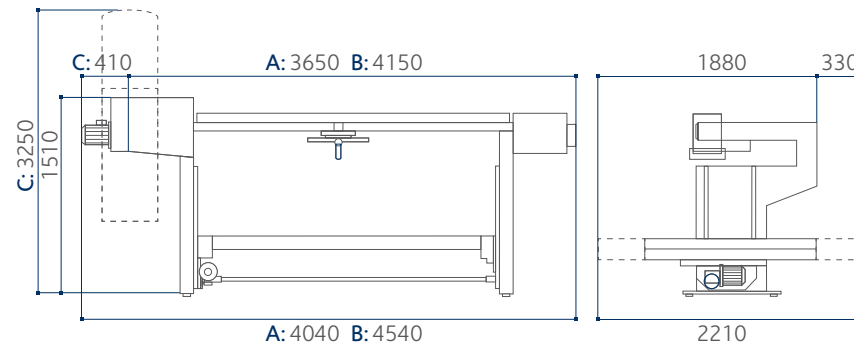
practical

Tensioning.

The belt tensioning device is extremely practical to use and enables the belt easy replacement.



sanders dimensions and technical data



- A** ls 2500
- B** ls 3000
- C** with bag for dust extraction

ls

		ls
Worktable length	mm	2500 ÷ 3000
Working width	mm	1100
Vertical stroke of worktable	mm	580
Abrasive belt width	mm	150
Abrasive belt length	mm	7100
Belt speed (CE)	m/sec	18
Dust extraction outlet diameter	mm	140
Depth of gooseneck	mm	820
Pulley diameter	mm	250
Pad dimensions	mm	150 x 360
Belt motor with reverse rotation (S1)	kW/Hz	3 (3,6) / 50 (60)
Lifting motor (S1)	kW/Hz	0,3 (0,4) / 50 (60)

band
saw
s 45n



Precision Since The First Cut.

		s 45n
Worktable dimensions	mm	520 x 600
Cast-iron saw wheels diameter	mm	450
Max. cutting height	mm	300
Max. cutting width	mm	440
Worktable tilting (no CE)		0° ÷ 20° (45°)
Three-phase motor starting from	kW/Hz	3 (3,6) / 50 (60)

Find the complete technical specification at page 125



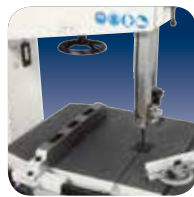
Professional band saws, sturdy and extremely precise, for woodworking shops and craftsmen.



**Cast-iron Saw
Wheels**
solidity

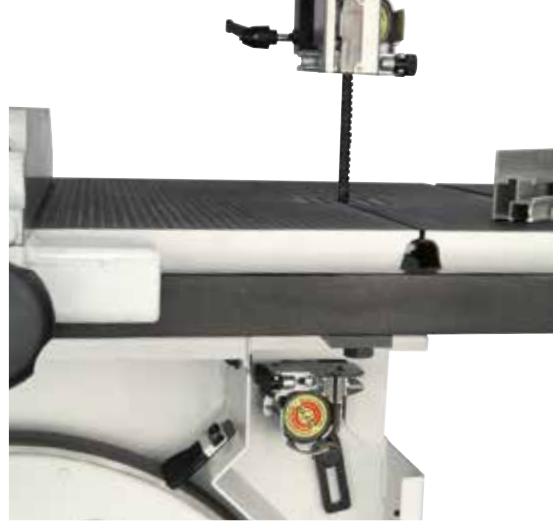


Blade Guide
perfect results



Protection
safety first

band saw operating groups



perfect results

Blade Guide.

A perfect cut result is assured by the top and bottom high precision blade guides. Practical machines suitable also to perform straight and tilted cuts on wood, plastic and aluminum.



solidity and sturdiness

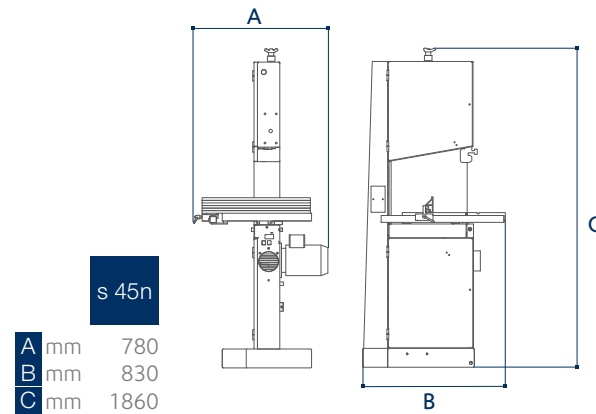
Cast Iron Saw Wheels.

Very thick, cast iron wheels, as well as the worktable, running on sealed for life ball bearings.

safety first
Protections.
Total safety machining with telescopic protections with rackwork to the blade.



band saw dimensions and technical data



		s 45n
Work table dimensions	mm	520 x 600
Cast-iron saw wheels diameter	mm	450
Max. cutting height	mm	300
Max. cutting width	mm	440
Worktable tilting (CE)		0° ÷ 45° (20°)
Min./max. saw blade length	mm	3690 / 3742
Min./max. saw blade dimensions	mm	6 x 0,5 / 25 x 0,5
Three-phase motor power	kW/Hz	3 (3,6) / 50 (60)
Exhaust outlet diameter	mm	120
Air consumption	l/min (bar)	-



The motors powers in this catalogue are expressed in S6, except where otherwise specified. In this catalogue, machines are shown in CE configuration and with options. We reserve the right to modify technical specifications without prior notice, provided that such modifications do not affect safety as per CE norms.

rev.01
01/2018

Komma
Mic Studio



PROMPT AND EXPERT
TECHNICAL SUPPORT
THROUGH A **NETWORK OF
1000 TECHNICIANS AND AN
INVENTORY OF 36,000
SPARE PARTS.**

HIGHLY SPECIALISED TECHNICIANS, EFFICIENT
MANAGEMENT AND 6 SPARE PARTS BRANCHES
AROUND THE WORLD GUARANTEE A CLOSE,
SAFE AND EFFECTIVE TECHNICAL SUPPORT.



SERVICE

SCM provides a service that goes beyond the purchase, to guarantee the long term performance of your technological production system and peace of mind for your business.

A COMPLETE RANGE OF AFTER-SALES SERVICES

- installation and start-up of machines, cells, lines and systems
- tailored training programs
- telephone support to reduce times and costs when machines are not working
- preventive maintenance programs to guarantee long term performance
- complete renovation of machines and plants to renew the added value of the investments
- custom upgrading to update machines and plants and meet new production requirements



SPARE PARTS

SCM Group can count on 140 spare parts professionals worldwide to meet any request with real time shipments.



36,000 SPARE PARTS

Our spare parts inventory, with a value of 12 million euros, covers every single machine



SPARE PARTS GUARANTEED

We guarantee also hard to find parts, with 3,5 million euros invested in "critical" spare parts.



IMMEDIATE AVAILABILITY

Over 90% of orders received are carried out the same day thanks to the huge inventory available.



6 BRANCHES AROUND THE WORLD

The spare parts service can count on worldwide support (Rimini, Singapore, Shenzhen, Moscow, Atlanta, São Bento do Sul)



500 SHIPMENTS A DAY





THE STRONGEST WOOD TECHNOLOGIES ARE IN OUR DNA

SCM. A HERITAGE OF SKILLS IN A UNIQUE BRAND

Over 65 years of success gives SCM the centre stage in woodworking technology. This heritage results from bringing together the best know-how in machining and systems for wood-based manufacturing. SCM is present all over the world, brought to you by the widest distribution network in the industry.

65 years history

3 main production sites in Italy

300.000 square metres of production space

17.000 machines manufactured per year

90% export

20 foreign branches

350 agents and dealers

500 support technicians

500 registered patents



In SCM's DNA also strength and solidity of a great Group. The SCM Group is a world leader, manufacturing industrial equipment and components for machining the widest range of materials.

SCM GROUP, A HIGHLY SKILLED TEAM EXPERT IN INDUSTRIAL MACHINES AND COMPONENTS

INDUSTRIAL MACHINERY

Stand-alone machines, integrated systems and services dedicated to processing a wide range of materials.



WOODWORKING TECHNOLOGIES



TECHNOLOGIES FOR PROCESSING COMPOSITE MATERIALS, ALUMINIUM, PLASTIC, GLASS, STONE, METAL

INDUSTRIAL COMPONENTS

Technological components for the Group's machines and systems, for those of third-parties and the machinery industry.



SPINDLES AND TECHNOLOGICAL COMPONENTS



ELECTRIC PANELS



METALWORK



CAST IRON